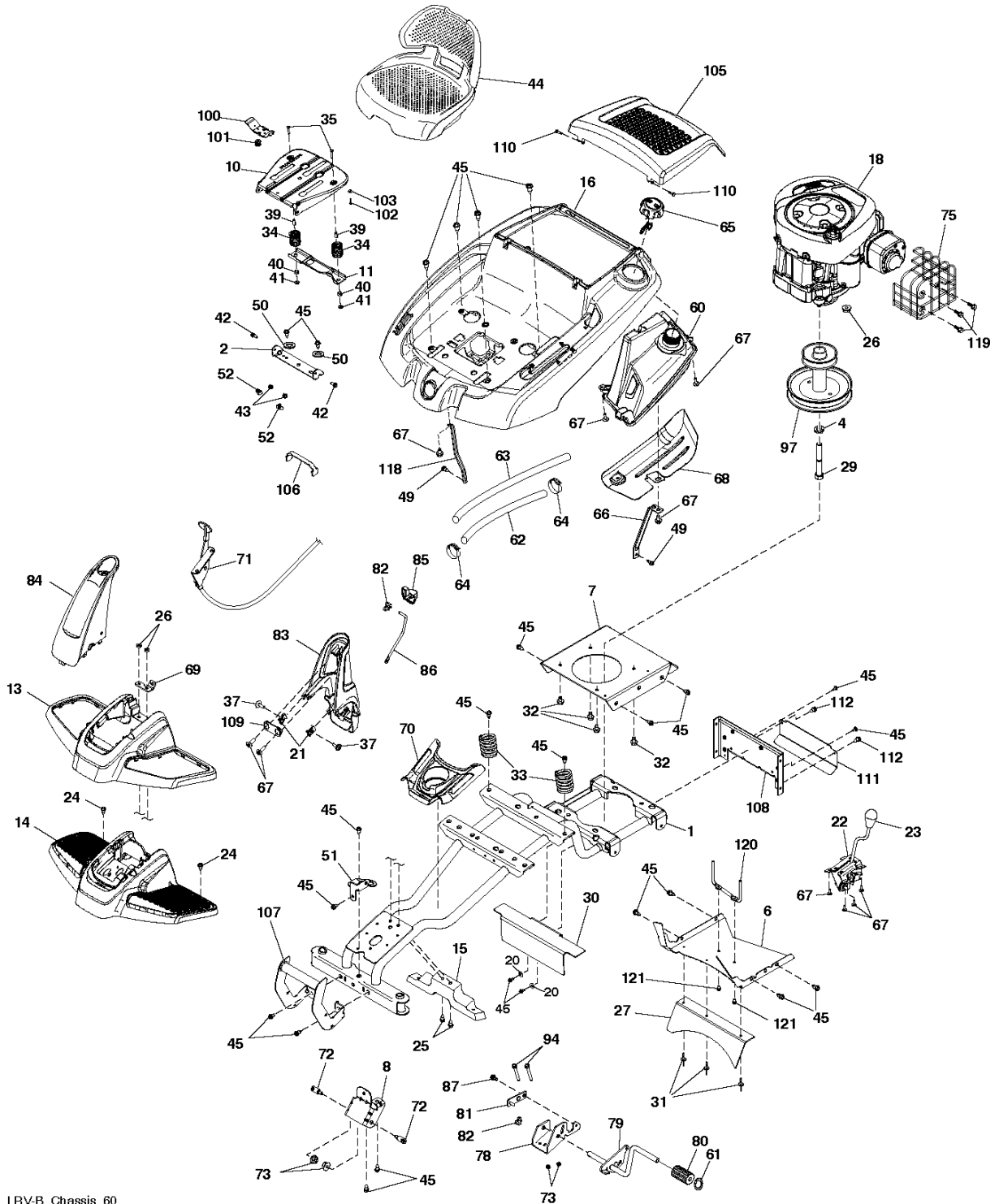




SPARE PARTS LIST

TRACTORS/RIDE MOWERS

M105-77X, 96021002601, 2014-06



CHASSIS & ENCLOSURES

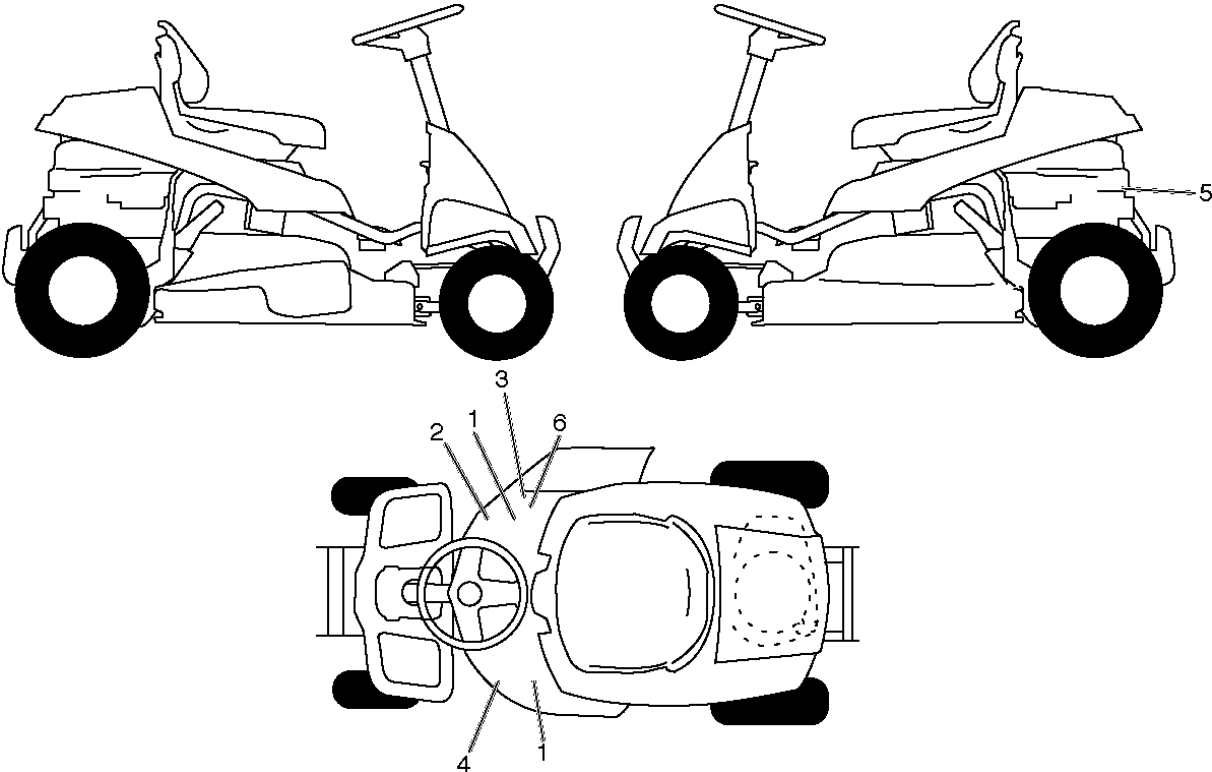
M105-77X, 96021002601, 2014-06

Ref	Part No	Description	Remark	QTY KIT
1	532 43 61-76	CHASSIS		1
2	532 18 01-66	BRACKET		1
4	810 04 07-00	WASHER		1
6	584 82 32-02	PAN		1
7	532 43 61-77	PLATE		1
8	587 58 18-01	BRACKET		1
10	532 44 18-05	SEAT		1
11	532 19 93-70	BRACKET		1
13	532 44 20-71	COVER		1
14	532 44 20-75	SUPPORT		1
15	532 44 20-69	SUPPORT		1
16	584 97 69-13	PANEL		1
18	000 00 00-00	W/O DESCRIPTION	B&S MODEL 21R507-0010-R1 (586191701)	1
20	819 11 12-16	WASHER		1
21	585 52 35-01	NUT		1
22	586 04 19-01	CLUTCH		1
23	532 14 98-46	BOULE DE LEVIER 149846		1
24	532 41 63-58	SCREW		1
25	872 14 04-24	BOLT		1
26	873 51 04-00	NUT		1
27	584 82 34-01	GUARD		1
29	581 63 62-01	BOLT		1
30	585 92 69-01	GUARD		1
31	532 14 08-11	RIVET		1
32	817 06 06-20	SCREW		1
33	532 12 41-81	SPRING		1
34	532 12 37-40	SPRING		1
35	872 05 04-12	BOLT		1
37	532 14 18-41	SCREW		1
39	532 13 43-00	SPACER		1
40	532 12 12-48	BUSHING		1
41	532 12 39-76	LOCKNUT		1
42	532 17 18-52	BOLT		1
43	873 80 05-00	LOCK NUT		1
44	532 43 66-12	SEAT		1
45	817 00 05-12	SCREW		1
49	817 06 05-16	SCREW		1
50	819 13 20-16	WASHER		1
51	532 42 88-56	BRACKET		1
52	532 14 50-06	CLIP		1
60	532 43 78-56	FUEL TANK ASSY		1
61	587 01 57-02	NUT		1
62	863 08 37-30	HOSE		1
63	532 41 41-19	PURGE LINE CARB		1
64	532 12 34-87	HOSE CLAMP		1
65	581 17 61-01	CAP		1
66	532 43 66-06	SUPPORT		1
67	532 42 17-56	SCREW		1
68	532 43 98-51	HEAT SHIELD		1
69	532 43 74-27	BRACKET		1
70	532 44 20-68	CONSOLE		1
71	532 43 78-57	THROTTLE		1
72	532 19 51-61	STUD		1
73	873 90 05-00	NUT		1
75	585 88 30-01	GUARD		1
78	532 43 70-56	BRACKET		1
79	532 43 70-57	BRAKE		1
80	532 42 96-93	COVER		1
81	532 43 73-74	LINK		1
82	532 16 94-84	PIN		1
83	587 68 64-03	COLUMN		1
84	587 38 86-07	COLUMN		1
85	532 43 76-60	BRAKE		1
86	532 43 87-62	BRAKE		1

CHASSIS & ENCLOSURES

M105-77X, 96021002601, 2014-06

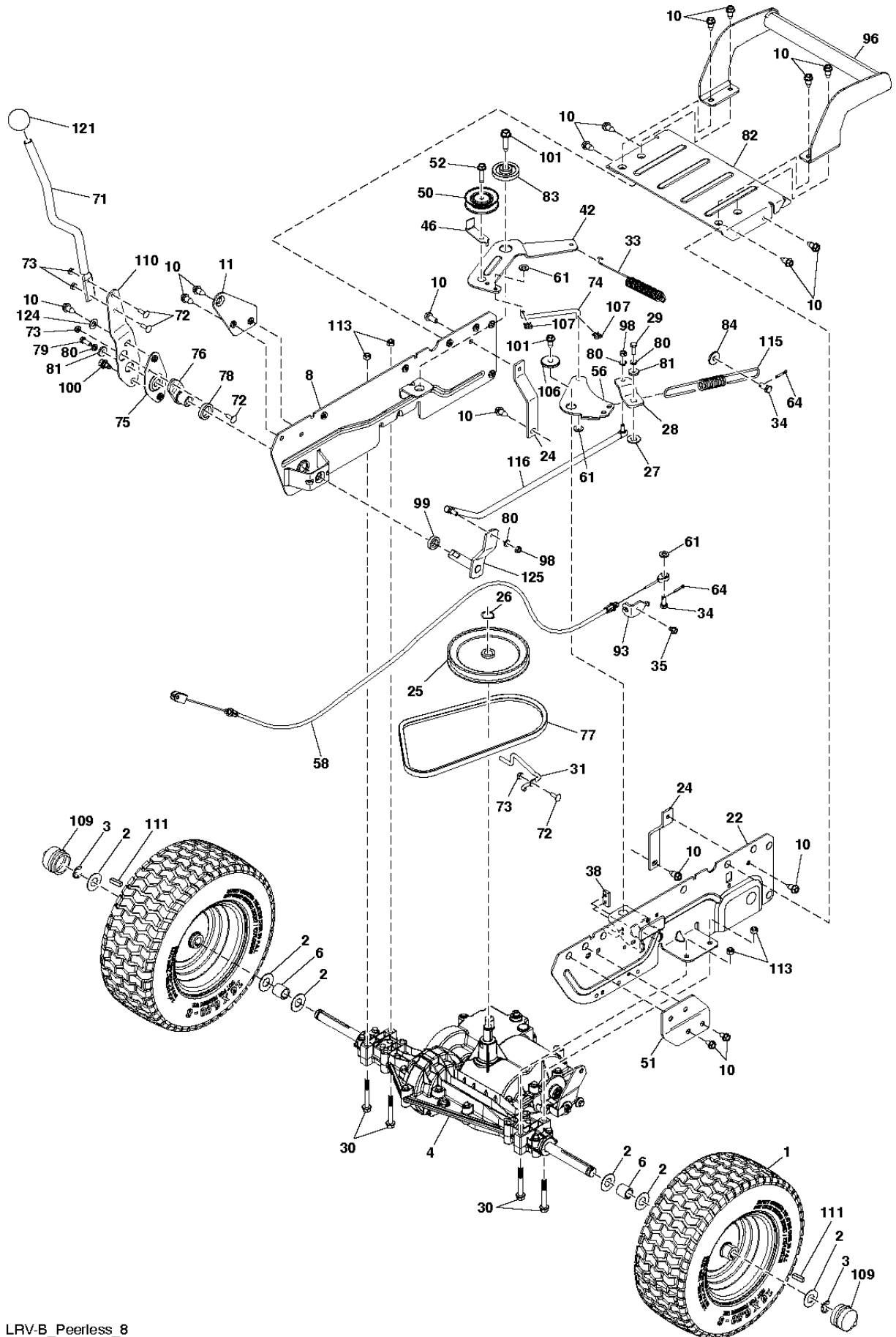
Ref	Part No	Description	Remark	QTY KIT
87	532 16 54-92	BOLT		1
94	874 49 05-48	BOLT		1
97	581 43 80-01	PULLEY		1
100	532 19 76-61	HANDLE		1
101	532 19 82-00	SPRING		1
102	874 76 06-12	BOLT		1
103	819 13 38-12	WASHER		1
105	532 44 79-92	COVER		1
106	532 43 68-34	STRAP		1
107	532 44 20-74	BUMPER		1
108	532 43 71-68	COVER		1
109	532 43 90-08	RETAINER		1
110	532 44 21-45	HINGE PIN		1
111	532 43 81-71	SHIELD		1
112	817 72 04-08	SCREW		1
118	532 44 50-02	PANEL		1
119	586 42 27-01	SCREW		1
120	588 06 46-01	KEEPER		1
121	817 60 04-06	SCREW		1



DECALS

M105-77X, 96021002601, 2014-06

Ref	Part No	Description	Remark	QTY KIT
1	581 72 43-01	DECAL		1
2	532 44 14-97	DECAL		1
3	581 57 93-01	DECAL		1
4	532 44 75-47	DECAL		1
5	585 56 11-01	DECAL		1
6	584 90 46-01	DECAL		1

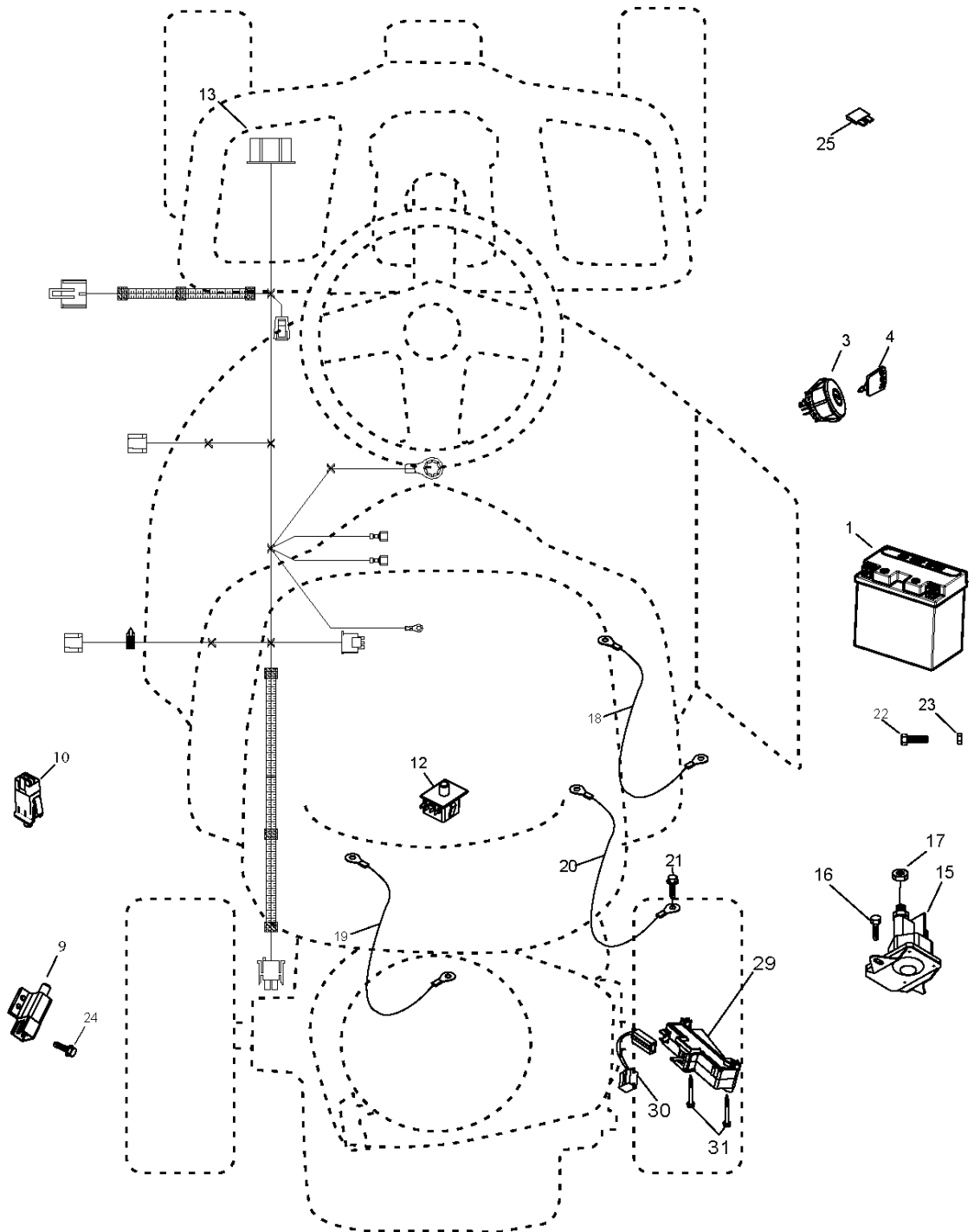


DRIVE

M105-77X, 96021002601, 2014-06

Ref	Part No	Description	Remark	QTY KIT
1	532 44 20-79	WHEEL		1
2	532 12 17-48	WASHER		1
3	812 00 00-01	RETAINER RING		1
4	584 83 63-01	TRANSMISSION		1
6	532 15 69-72	SPACER		1
8	581 52 47-02	SUPPORT		1
10	817 00 05-12	SCREW		1
11	532 43 67-41	BRACKET		1
22	581 52 46-02	PLATE		1
24	580 96 08-02	STRAP		1
25	581 43 77-01	PULLEY		1
26	812 00 00-28	CLIP		1
27	532 10 57-01	WASHER		1
28	580 94 93-02	ARM		1
29	874 55 04-12	BOLT		1
30	874 49 05-40	BOLT		1
31	581 43 81-02	KEEPER		1
33	581 59 31-01	SPRING		1
34	581 52 50-01	PEN		1
35	817 49 04-06	SCREW		1
38	581 22 30-01	PLATE		1
42	580 96 13-02	ARM		1
46	581 44 42-02	KEEPER		1
50	532 19 95-34	PULLEY		1
51	532 43 67-39	BRACKET		1
52	817 58 05-20	BOLT		1
56	581 44 40-02	BELLCRANK		1
58	581 53 16-01	CABLE		1
61	819 11 11-16	WASHER		1
64	876 02 04-12	SPLIT PIN		1
71	532 43 68-65	TUBE		1
72	872 11 04-06	BOLT		1
73	873 68 04-00	NUT		1
74	580 96 12-01	LINK		1
75	532 42 84-64	MOUNTING BRAKET		1
76	532 44 43-04	LEVER		1
77	581 60 59-01	BELT		1
78	532 42 90-55	SPACER		1
79	874 78 04-12	BOLT		1
80	810 04 04-00	WASHER		1
81	819 09 12-10	WASHER		1
82	581 52 52-02	COVER		1
83	532 19 43-21	SPACER		1
84	819 11 16-10	WASHER		1
93	532 42 80-70	MOUNT		1
96	532 44 20-73	BUMPER		1
98	532 15 03-60	NUT		1
99	581 04 92-01	SPACER		1
100	532 16 54-92	BOLT		1
101	817 06 06-24	SCREW		1
106	532 19 90-92	SPACER		1
107	532 17 80-62	CLIP		1
109	532 19 32-68	HUB CAP		1
110	532 42 84-61	BRACKET		1
111	532 12 35-83	KEY		1
113	873 90 05-00	NUT		1
115	581 49 38-01	SPRING		1
116	580 94 92-01	LINK		1
121	583 96 09-01	KNOB		1
124	532 16 60-02	WASHER		1
125	580 94 98-02	SHAFT		1

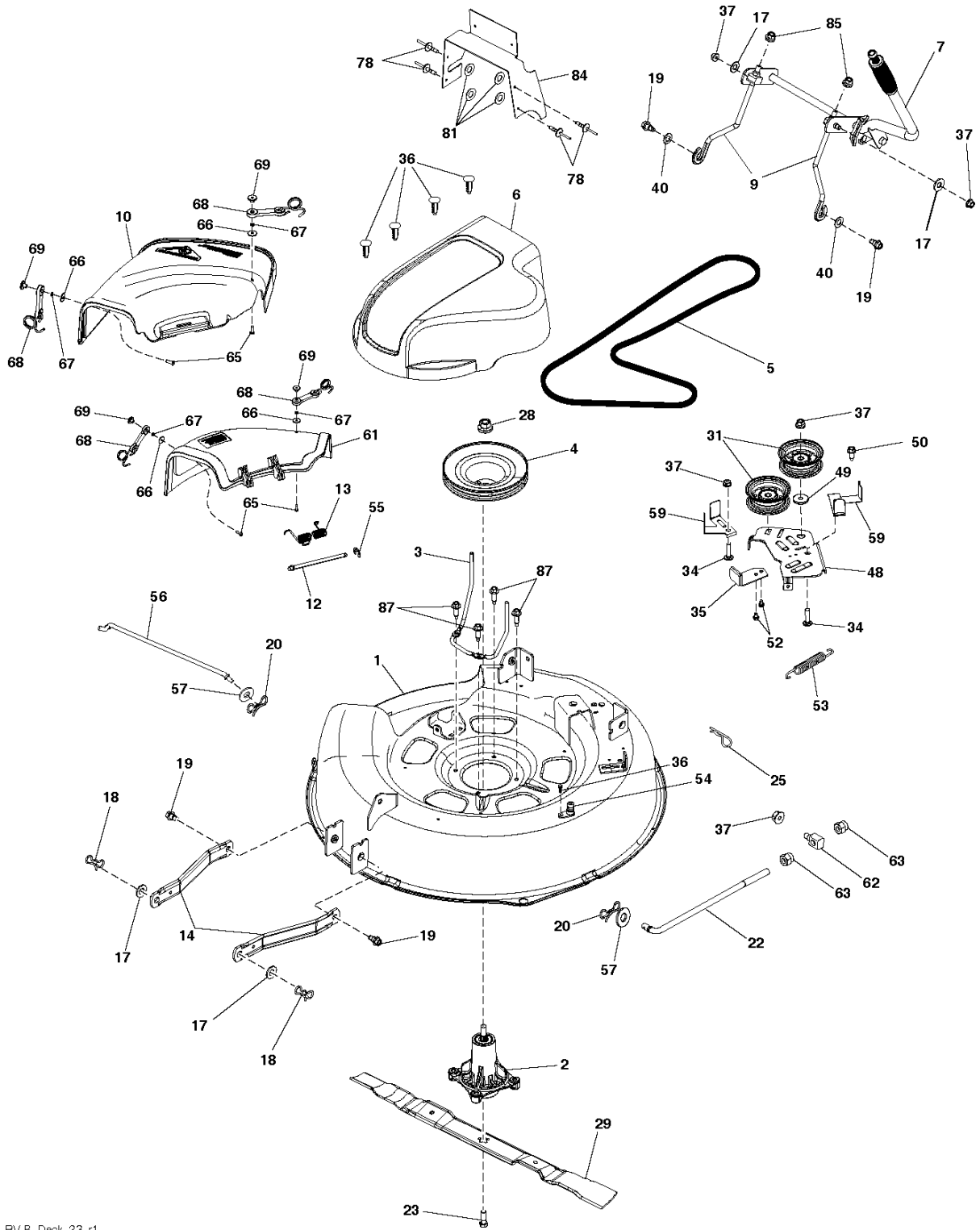
LRV3



ELECTRICAL

M105-77X, 96021002601, 2014-06

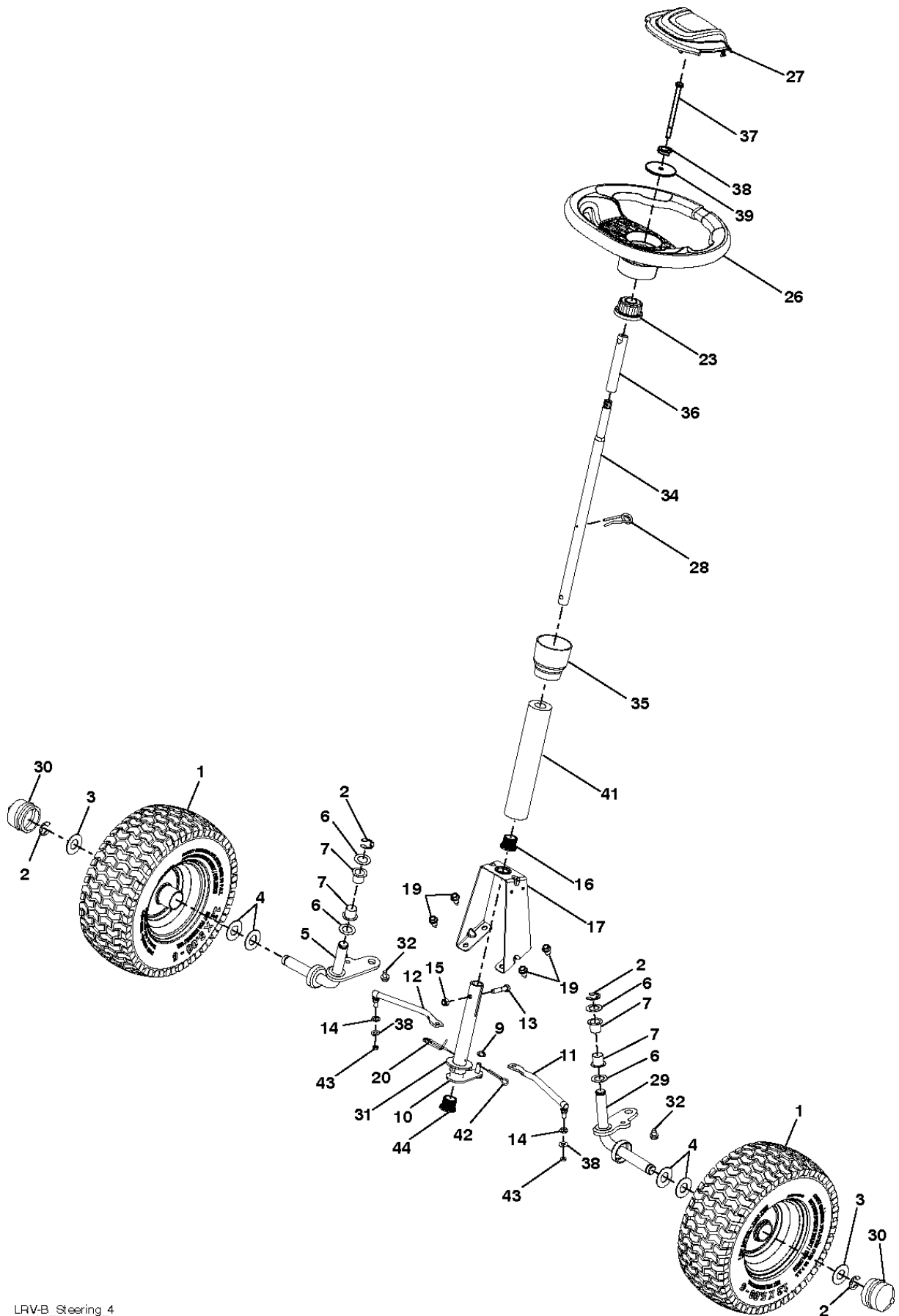
Ref	Part No	Description	Remark	QTY KIT
1	532 43 65-51	BATTERY		1
3	532 19 33-50	IGNITION MODULE		1
4	532 41 19-35	KEY		1
9	532 10 95-53	SWITCH		1
10	532 17 61-38	SWITCH INTERLOCK		1
12	532 19 27-49	SWITCH.SEAT.DP W/RAMPS		1
13	584 29 96-01	HARNESS		1
15	532 19 25-07	SOLENOID		1
16	817 72 04-08	SCREW		1
17	873 51 04-00	NUT		1
18	532 41 66-94	CABLE		1
19	532 42 12-99	CABLE		1
20	532 42 12-98	CABLE		1
21	817 06 05-12	SCREW		1
22	532 44 21-48	SCREW		1
23	532 43 81-22	NUT		1
24	574 82 27-01	SCREW		1
25	532 43 48-99	FUSE		1
29	532 19 18-34	MODULE.REVERSE.ROS		1
30	581 62 52-01	HARNESS		1
31	532 19 25-40	SCREW		1



MOWER DECK / CUTTING DECK

M105-77X, 96021002601, 2014-06

Ref	Part No	Description	Remark	QTY KIT
1	584 46 83-02	DECK		1
2	587 25 33-01	MANDREL		1
3	584 44 45-02	KEEPER		1
4	584 44 44-02	PULLEY		1
5	584 29 37-01	BELT		1
6	532 44 50-24	COVER		1
7	586 58 09-01	LIFT		1
9	582 34 27-01	LINK ASSY		1
10	532 43 64-56	DEFLECTOR		1
12	532 43 66-47	HINGE PIN		1
13	532 43 74-62	SPRING		1
14	532 19 51-85	ARM		1
17	819 19 19-12	WASHER		1
18	532 19 42-09	SPRING		1
19	532 19 65-39	BOLT		1
20	532 19 42-08	PIN		1
22	584 97 75-02	LINKAGE		1
23	584 30 93-01	SCREW		1
25	532 12 47-88	RETAINING RING		1
28	532 40 02-34	NUT		1
29	532 41 92-73	RIDE ON BLADE		1
31	532 19 31-97	PULLEY		1
34	872 11 06-12	BOLT		1
35	532 19 94-70	ARM		1
36	532 13 77-29	SCREW		1
37	873 90 06-00	NUT		1
40	819 17 16-16	WASHER		1
48	586 84 36-01	ARM		1
49	532 19 90-92	SPACER		1
50	817 00 06-16	SCREW		1
52	817 60 04-06	SCREW		1
53	585 04 91-01	SPRING		1
54	532 41 55-98	PORT.WASHOUT		1
55	532 43 79-88	RING		1
56	532 40 48-51	ROD		1
57	819 13 13-12	WASHER		1
59	532 43 68-58	GUARD		1
61	532 43 64-55	COVER		1
62	532 17 62-05	TRUNION		1
63	532 17 59-94	NUT		1
65	871 08 10-10	SCREW		1
66	819 06 12-16	WASHER		1
67	810 07 10-00	WASHER		1
68	532 16 07-93	LATCH		1
69	532 00 20-29	NUT		1
78	532 14 08-11	RIVET		1
81	532 14 08-10	WASHER		1
84	584 82 33-02	GUARD		1
85	585 29 92-01	GUARD		1
87	584 95 39-01	BOLT		1



STEERING

M105-77X, 96021002601, 2014-06

Ref	Part No	Description	Remark	QTY KIT
1	532 44 20-64	WHEEL		1
2	812 00 00-01	RETAINER RING		1
3	532 18 89-67	WASHER		1
4	532 12 17-49	WASHER		1
5	532 43 61-81	SPINDLE		1
6	532 12 49-31	WASHER		1
7	532 12 49-37	BEARING COL. STRG.		1
9	819 13 14-14	WASHER		1
10	532 42 80-57	SHAFT		1
11	532 43 61-83	LINK		1
12	532 43 61-84	LINK		1
13	874 78 05-24	BOLT		1
14	819 11 12-16	WASHER		1
15	873 80 05-00	LOCK NUT		1
16	532 42 87-94	BUSHING		1
17	532 43 61-78	SUPPORT		1
19	817 00 05-12	SCREW		1
20	532 42 80-45	CLIP		1
23	532 43 77-47	ADAPTER WHEEL		1
26	532 44 28-04	STEERING WHEEL		1
27	532 44 77-59	CAP		1
28	532 19 98-49	SPRING RETAINER		1
29	532 43 61-80	SPINDLE		1
30	532 19 32-68	HUB CAP		1
31	819 34 32-10	WASHER		1
32	817 58 05-20	BOLT		1
34	532 44 49-80	SHAFT		1
35	532 44 20-66	BOOT		1
36	532 44 49-81	SHAFT		1
37	747 80 51-04	BOLT		1
38	810 04 05-00	WASHER		1
39	819 11 38-12	WASHER		1
41	532 43 65-90	SHAFT		1
42	532 42 10-76	PEN		1
43	873 54 05-00	NUT		1
44	532 42 80-44	BUSHING		1