

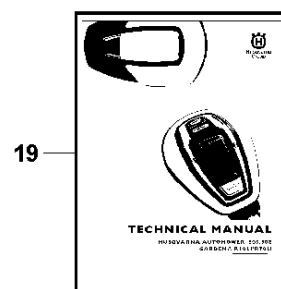
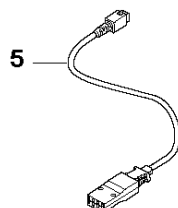
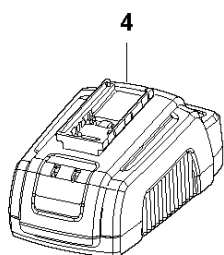
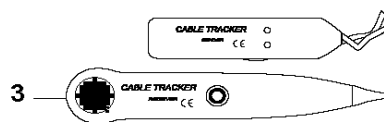
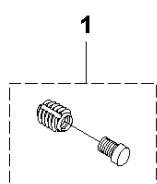


SPARE PARTS LIST

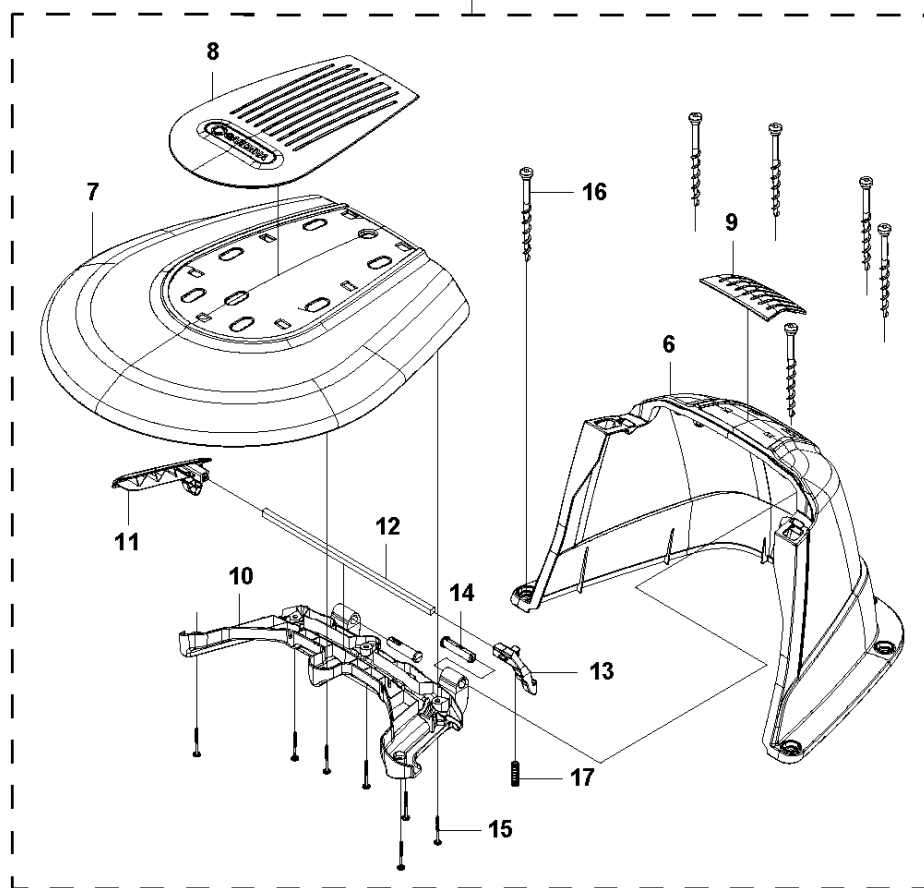
ROBOTIC LAWN MOWERS

R70Li, 2016-02

G GARDENA R70/80Li
ACCESSORIES



18

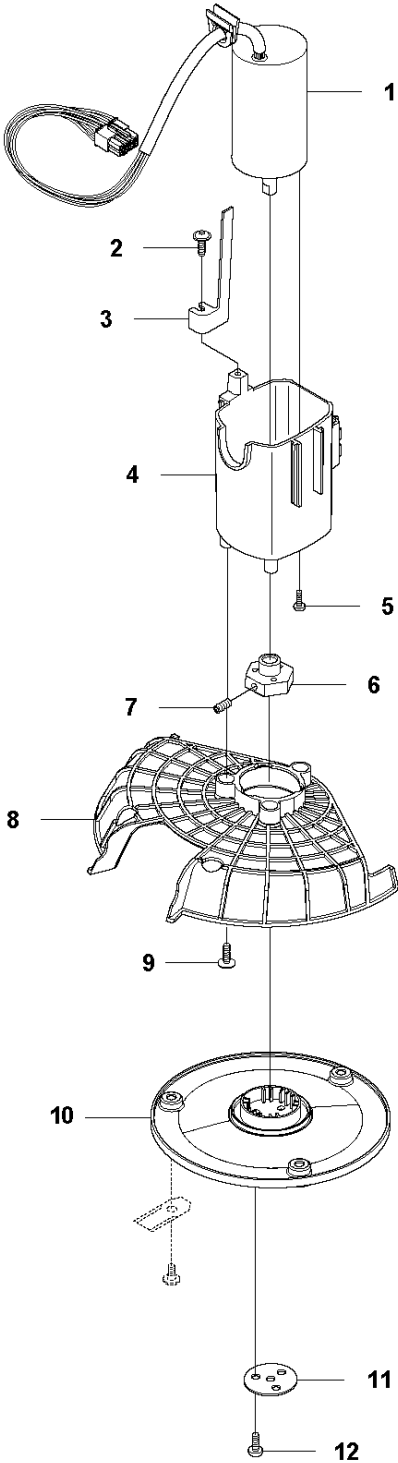


ACCESSORIES

R70Li, 2016-02

Ref	Part No	Description	Remark	QTY KIT
1	581 16 57-01	THREAD INSERT	(4 pcs)	1
2	580 68 95-02	LABEL	1pcs	1
3	577 60 68-01	TEST EQUIPMENT	Interruption Detector	1
4	588 40 84-01	CHARGER	Quick Charger with Battery Test	1
5	588 20 26-01	CABLE ASSY	Cable Quick Charger	1
6	587 91 63-01	COVER KIT	KIT Base	1
7	587 91 64-01	COVER KIT	KIT Lid	1
8	586 69 44-01	COVER	Front Insert	1
9	586 69 46-01	COVER	Rear Insert	1
10	586 69 42-01	BEAM	Hinge	1
11	586 69 47-01	HANDLE	Left	1
12	585 32 41-02	ROD		1
13	586 69 48-01	LATCH	Right	1
14	585 34 15-01	HINGE PIN	Hinge	2
15	575 54 33-14	SCREW		8
16	575 23 86-01	SCREW KIT		1
17	580 51 14-01	SPRING		1
18	586 80 17-01	HOUSING		1
19	115 44 50-01	WORKSHOP MANUAL	TECHNICAL MANUAL, Swedish	1
19	115 44 50-06	WORKSHOP MANUAL	TECHNICAL MANUAL, Danish	1
19	115 44 50-11	WORKSHOP MANUAL	TECHNICAL MANUAL, Finnish	1
19	115 44 50-21	WORKSHOP MANUAL	TECHNICAL MANUAL, Norwegian	1
19	115 44 50-26	WORKSHOP MANUAL	TECHNICAL MANUAL, English	1
19	115 44 50-31	WORKSHOP MANUAL	TECHNICAL MANUAL, French	1
19	115 44 50-36	WORKSHOP MANUAL	TECHNICAL MANUAL, Dutch	1
19	115 44 50-41	WORKSHOP MANUAL	TECHNICAL MANUAL, Italian	1
19	115 44 50-46	WORKSHOP MANUAL	TECHNICAL MANUAL, Spanish	1
19	115 44 50-51	WORKSHOP MANUAL	TECHNICAL MANUAL, German	1
19	115 44 50-56	WORKSHOP MANUAL	TECHNICAL MANUAL, Russian	1
19	115 44 50-58	WORKSHOP MANUAL	TECHNICAL MANUAL, Hungarian	1
19	115 44 50-61	WORKSHOP MANUAL	TECHNICAL MANUAL, Polish	1
19	115 44 50-62	WORKSHOP MANUAL	TECHNICAL MANUAL, Romanian	1
19	115 44 50-63	WORKSHOP MANUAL	TECHNICAL MANUAL, Estonian	1
19	115 44 50-64	WORKSHOP MANUAL	TECHNICAL MANUAL, Latvian	1
19	115 44 50-65	WORKSHOP MANUAL	TECHNICAL MANUAL, Lithuanian	1
19	115 44 50-71	WORKSHOP MANUAL	TECHNICAL MANUAL, Greek	1
19	115 44 50-76	WORKSHOP MANUAL	TECHNICAL MANUAL, Turkish	1
19	115 44 50-81	WORKSHOP MANUAL	TECHNICAL MANUAL, Croatian	1
19	115 44 50-90	WORKSHOP MANUAL	TECHNICAL MANUAL, Czech	1

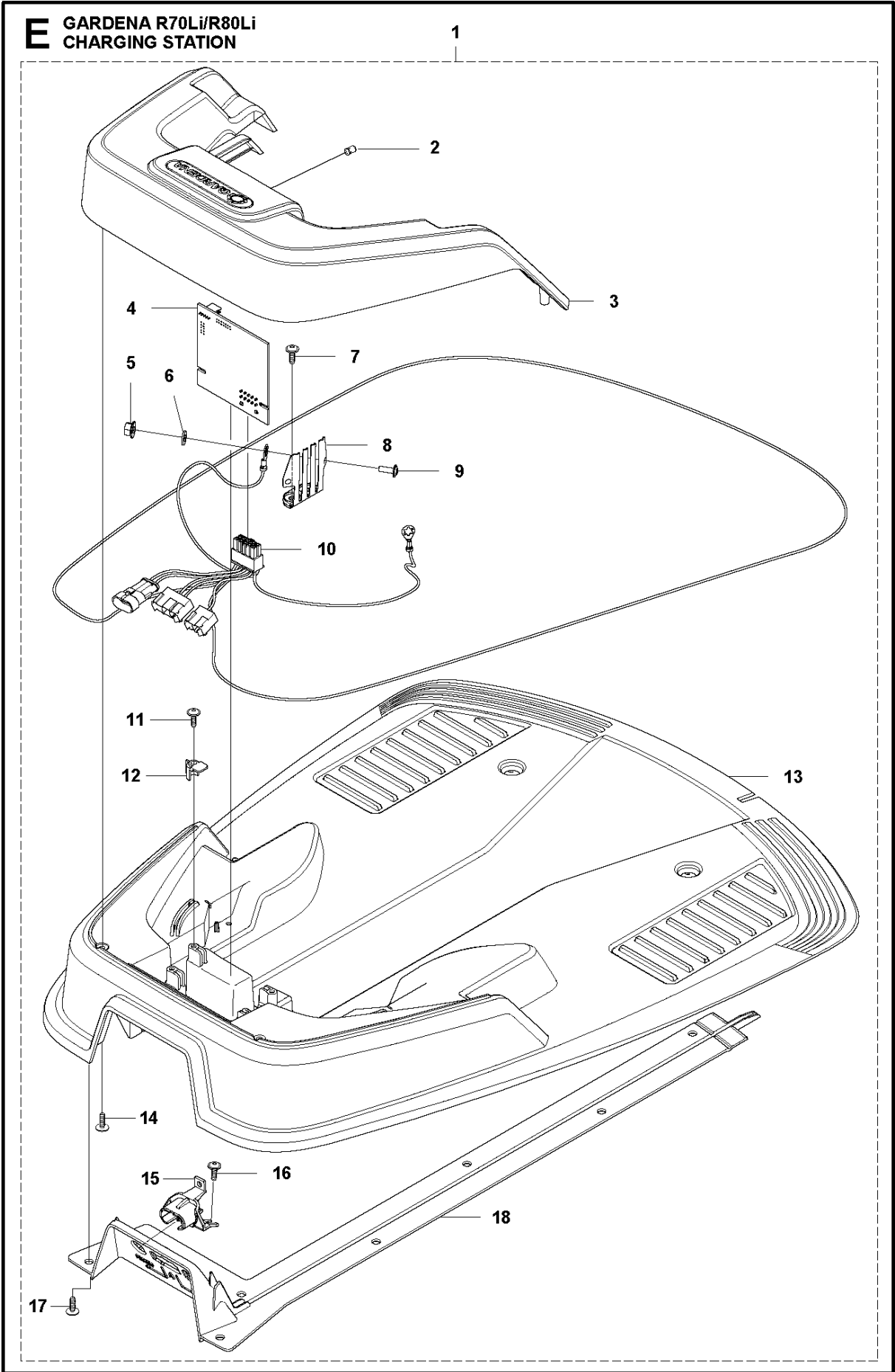
D GARDENA R70Li/R80Li
BLADE MOTOR & CUTTING EQUIPMENT



BLADE MOTOR & CUTTING EQUIPMENT

R70Li, 2016-02

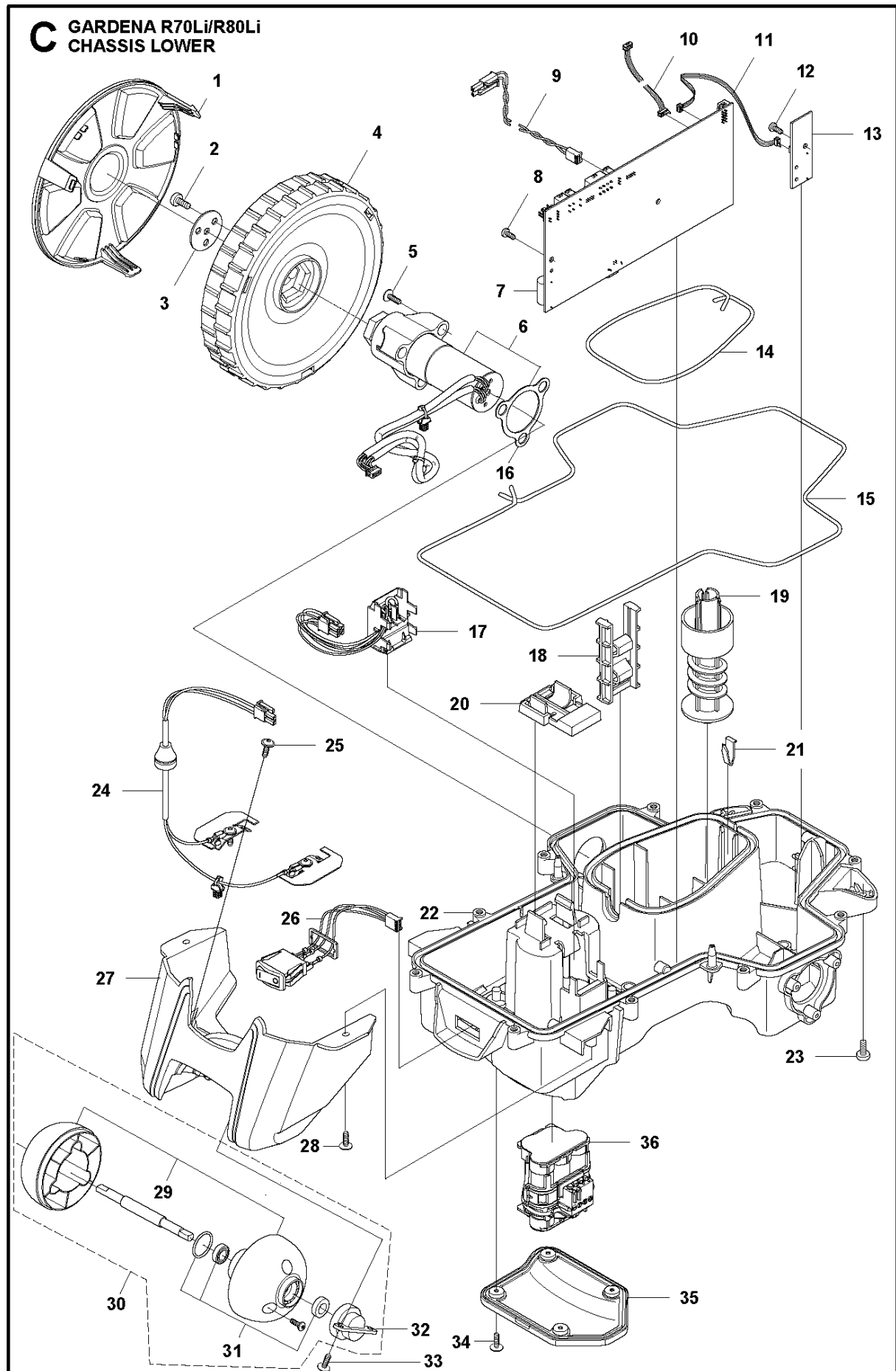
Ref	Part No	Description	Remark	QTY KIT
1	584 98 93-02	MOTOR		1
2	575 54 33-14	SCREW	Grey (14 mm)	1
3	574 50 35-01	HEIGHT INDICATOR		1
4	581 02 03-01	MOTOR HOUSING		1
5	576 21 38-01	SCREW ITXPANM	M4x12	3
6	574 37 35-01	HUB	Cutting Motor	1
7	576 21 35-01	SCREW IHSETM	Stop	1
8	577 85 02-05	GUARD	Cutting Disc	1
9	575 54 33-14	SCREW	Grey (14 mm)	3
10	574 48 71-01	CUTTING DISC		1
11	577 09 32-01	WASHER		1
12	576 21 38-01	SCREW ITXPANM		3



CHARGING STATION

R70Li, 2016-02

Ref	Part No	Description	Remark	QTY KIT
1	577 97 23-09	CHARGING STATION		1
2	535 12 87-02	DIODE LENS		1
3	584 61 83-01	CHARGING STATION	Charging Station	1
4	588 88 25-01	PRINTED CIRCUIT ASSY	Charging Station	1
5	588 22 21-01	HEXAGON NUT FLANGE		2
6	535 08 74-01	WASHER		2
7	575 54 33-14	SCREW	Grey (14 mm)	2
8	587 12 51-01	CONTACT	Charging Station	2
9	588 22 22-01	SCREW ITXPANM		2
10	588 49 03-02	CABLE ASSY	Charging Station	1
11	575 54 33-14	SCREW	Grey (14 mm)	2
12	535 12 79-01	BRACKET		2
13	581 55 19-02	CHARGING STATION	Charging Station	1
14	575 54 33-14	SCREW	Grey (14 mm)	4
15	587 87 85-01	BRACKET		1
16	575 54 33-14	SCREW	Grey (14 mm)	2
17	575 54 33-14	SCREW	Grey (14 mm)	4
18	587 87 84-01	GUIDE	Charging Station	1

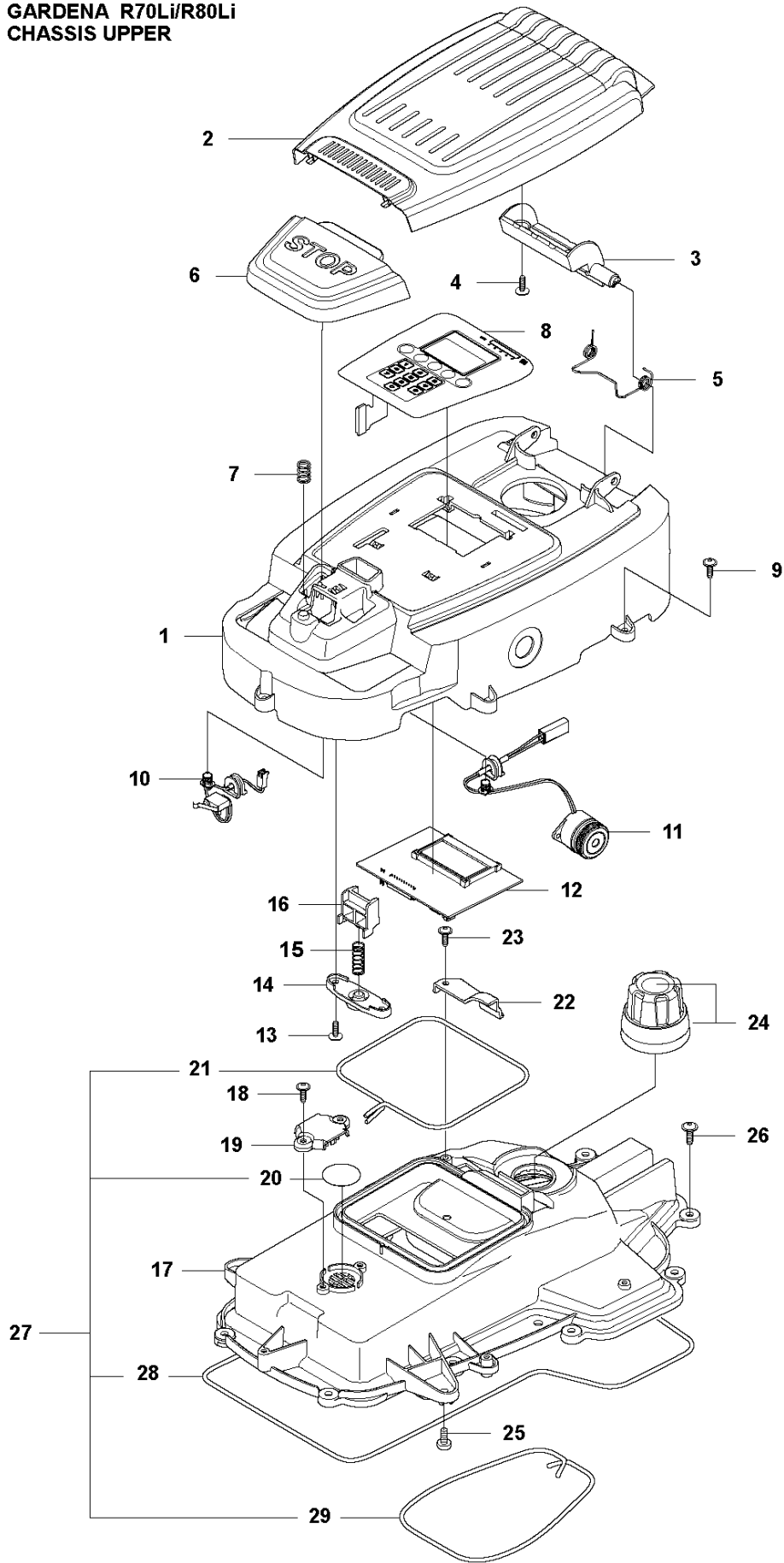


CHASSIS LOWER

R70Li, 2016-02

Ref	Part No	Description	Remark	QTY KIT
1	577 70 79-01	HUB CAP	Drive Wheel	2
2	576 21 39-02	SCREW ITXPANM		6
3	577 09 32-01	WASHER	Drive Wheel	2
4	574 46 51-04	WHEEL	Drive Wheel	2
5	575 54 33-14	SCREW	Grey (14 mm)	6
6	577 83 99-04	WHEEL MOTOR ASSY	incl. Sealing	2
7	588 62 88-03	PRINTED CIRCUIT ASSY	(MCB)	1
8	535 13 03-10	SCREW ITXPANT	(10 mm)	2
9	576 22 02-01	LOOM	Buzzer Extension	1
10	588 83 27-01	WIRING ASSY	Display	1
11	588 90 12-01	WIRING ASSY	Loop and Lift Sensor	1
12	535 13 03-10	SCREW ITXPANT	(10 mm)	1
13	588 57 21-01	PRINTED CIRCUIT ASSY		1
14	574 87 47-04	SEALING STRIP	(1 pcs, 4 mm)	1
15	574 87 47-03	SEALING STRIP	Chassis (1 pcs, 4 mm)	1
16	574 37 37-01	GASKET	Motor Flange	2
17	574 47 98-01	LOOM	Li-Ion Battery	1
18	574 50 19-01	GUIDE RAIL	Motor Bowl	2
19	574 48 46-01	SCREW	Height Adjustment	1
20	575 40 82-01	LOCK	Battery Plug	1
21	577 10 32-01	LOCKING SPRING		1
22	577 84 62-02	CHASSIS	KIT incl. Sealing	1
23	576 21 39-01	SCREW ITXPANM		2
24	588 95 09-01	CABLE ASSY	Charging Plate	1
25	575 52 95-02	SCREW ITXPANTT	Grey (14 mm)	2
26	579 70 87-01	CABLE ASSY	Swith ON/OFF with Seal	1
27	574 46 72-02	HOUSING	Rear Wheel	1
28	575 54 33-14	SCREW	Grey (14 mm)	3
29	583 85 39-02	REAR WHEEL		1
30	578 27 51-03	REAR WHEEL	KIT Complete	1
31	578 27 52-01	REAR WHEEL	Bearing (X2), Sealing (X2), O-Ring (X1)	1
32	577 71 50-01	BEARING HOUSING	Rear Wheel	2
33	575 54 33-14	SCREW	Grey (14 mm)	4
34	574 45 01-01	SCREW ITXPANT		4
35	574 46 73-01	COVER	Battery	1
36	574 47 68-01	BATTERY	Lithium 18 v	1

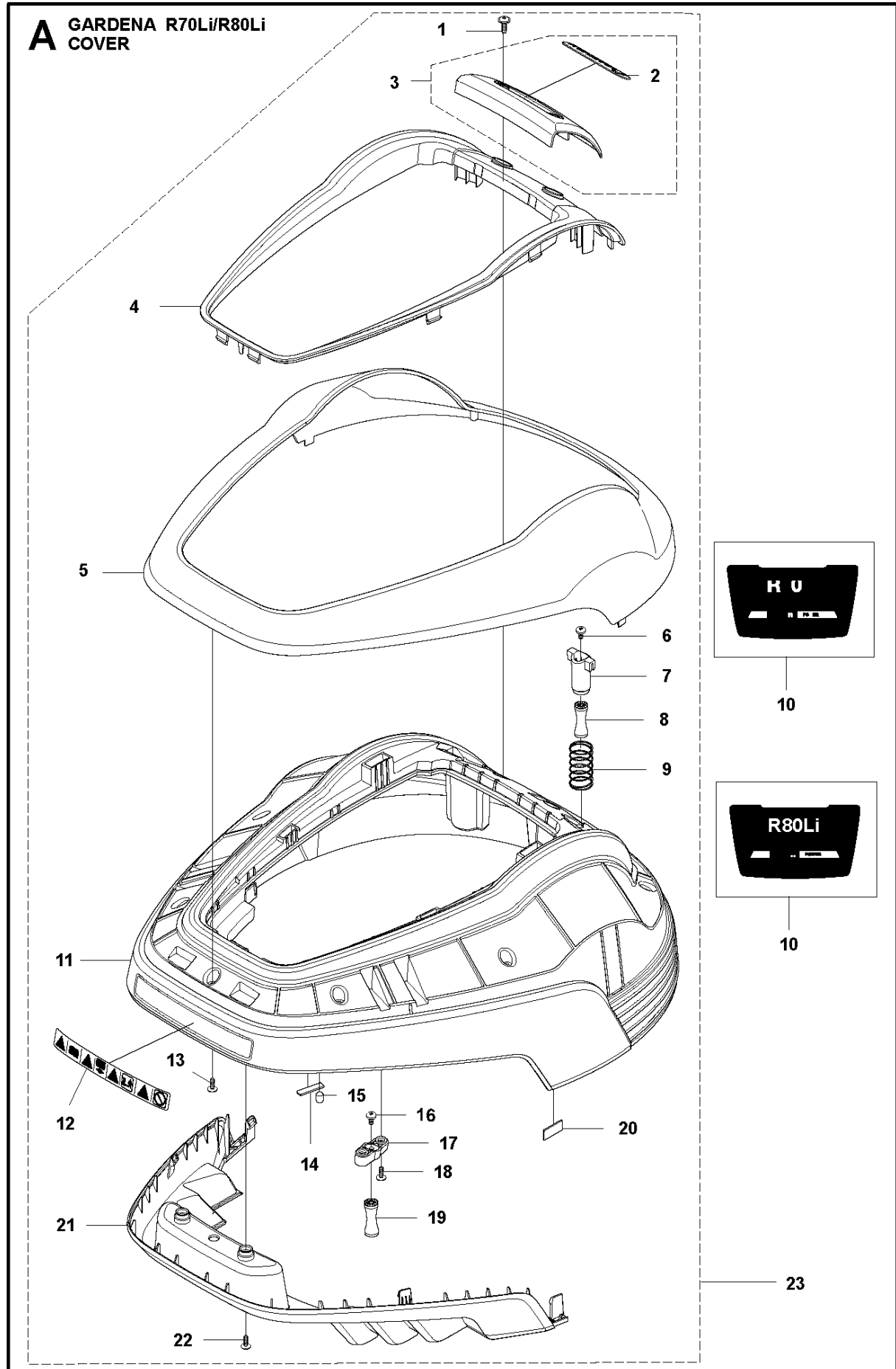
B GARDENA R70Li/R80Li
CHASSIS UPPER



CHASSIS UPPER

R70Li, 2016-02

Ref	Part No	Description	Remark	QTY KIT
1	579 39 19-02	KIT	incl. Sealing & Keyboard	1
2	577 70 72-03	COVER	Height Adjustment	1
3	577 70 78-01	HINGE	Height Adjustment Lid	1
4	575 54 33-14	SCREW	Grey (14 mm)	2
5	578 44 52-01	SPRING	Height Adjustment Lid	1
6	577 70 66-01	BUTTON		1
7	574 48 70-01	SPRING	Stop Button	1
8	586 94 56-02	KEYBOARD		1
9	575 54 33-14	SCREW	Grey (14 mm)	5
10	574 48 03-01	SWITCH	Stop Button	1
11	574 47 59-01	BUZZER	Display Cover	1
12	588 44 19-01	PRINTED CIRCUIT ASSY	Circuit Board	1
13	575 54 33-14	SCREW	Screw, Grey (14 mm)	2
14	575 41 58-01	SPRING HOLDER	Stop Button	1
15	576 24 22-01	SPRING	Stop Button	1
16	575 40 90-01	LOCK	Stop Button	1
17	579 39 20-02	KIT	incl. Sealing & Air Filter	1
18	575 54 33-14	SCREW	Grey (14 mm)	2
19	576 69 70-01	COVER	Air Filter	1
20	577 75 37-01	KIT	(10 pcs)	1
21	574 87 47-04	SEALING STRIP	(1 pcs, diam. 4 mm)	1
22	576 05 39-01	COVER	Height Indicator	1
23	575 54 33-14	SCREW	Grey (14 mm)	1
24	579 39 22-01	KIT	height adjustment KIT incl. Knob & Sticker	1
25	576 21 39-01	SCREW ITXPANM		2
26	574 45 01-01	SCREW ITXPANT		10
27	588 40 70-01	SEAL KIT	incl. Sealing Strip Chassis (1 pcs), Sealing Strip Short (2 pcs), Air Filter (1 pcs)	1
28	574 87 47-03	SEALING STRIP	Chassis (1 pcs, diam. 4 mm)	1
29	574 87 47-04	SEALING STRIP	(1 pcs, diam. 4 mm)	1

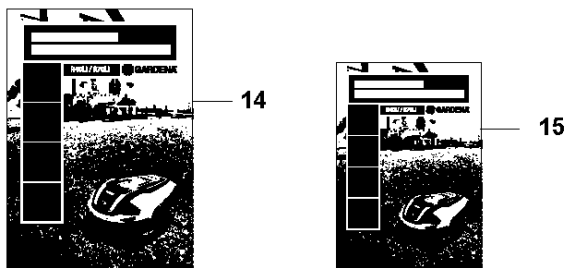
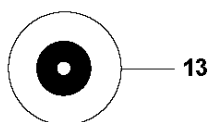
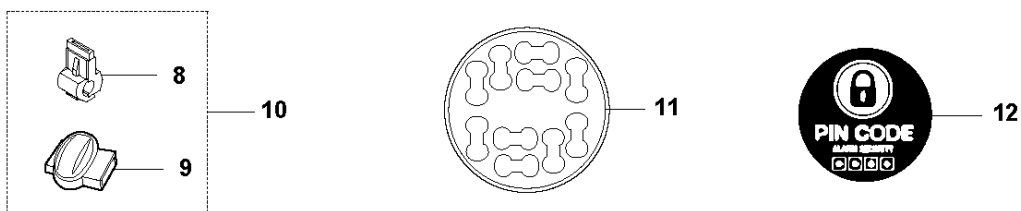
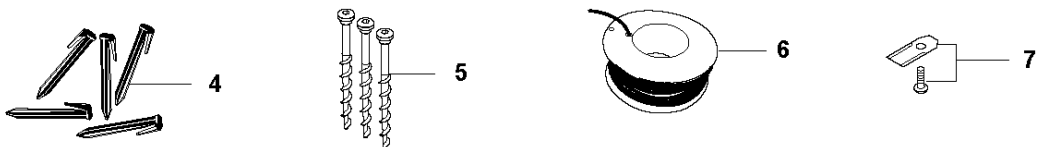
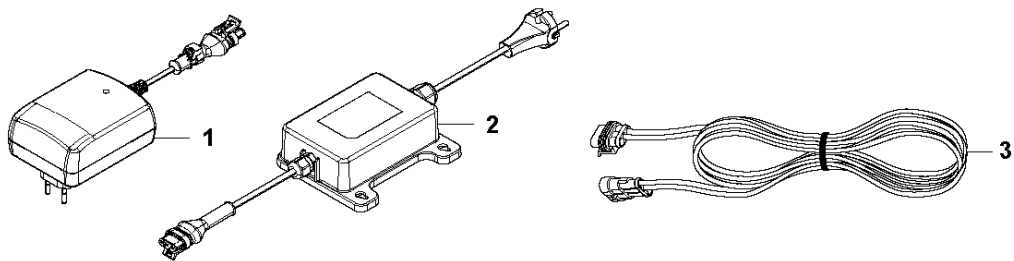


COVER

R70Li, 2016-02

Ref	Part No	Description	Remark	QTY KIT
1	575 54 33-14	SCREW	Grey (14 mm)	2
2	510 31 03-01	LOGOTYPE		1
3	579 39 21-05	PLATE KIT	incl. Sticker & Decal	1
4	577 70 76-03	FRAME		1
5	577 70 73-03	COVER		1
6	576 21 39-01	SCREW ITPANM	M5x12	2
7	574 46 90-02	BRACKET	Lift Sensor	2
8	574 46 91-02	DAMPER		2
9	574 48 51-02	SPRING	Lift Sensor	2
10	580 92 76-01	LABEL	R70Li	1
11	579 39 17-02	KIT		1
12	586 35 97-01	LABEL	Warning	1
13	575 54 33-14	SCREW	Grey (14 mm)	7
14	576 03 01-01	PLATE	Collision Sensor	1
15	576 18 33-01	MAGNET	Collision Sensor	1
16	576 21 39-01	SCREW ITPANM	M5x12	2
17	575 41 60-02	SUPPORT CLAMP		2
18	575 54 33-14	SCREW	Grey (14 mm)	4
19	574 46 91-02	DAMPER		2
20	576 18 32-01	MAGNET	Lift Sensor	1
21	577 70 65-01	BUMPER	Rear	1
22	575 54 33-14	SCREW	Grey (14 mm)	2
23	577 95 53-09	BODY SYSTEM	Complete excl. Model Decal	1

F GARDENA R70Li/R80Li
INSTALLATION ACCESSORIES



INSTALLATION ACCESSORIES

R70Li, 2016-02

Ref	Part No	Description	Remark	QTY KIT
1	584 86 25-01	TRANSFORMER	EU	1
2	584 86 26-02	POWER UNIT	UK	1
2	584 86 26-03	TRANSFORMER	CH	1
2	584 86 26-04	POWER UNIT	CA	1
2	584 86 26-05	POWER UNIT	AU-NZ	1
3	579 82 51-01	CABLE ASSY	(20 m)	1
3	579 82 51-02	CABLE ASSY	(10 m)	1
3	579 82 51-03	CABLE ASSY	(3 m)	1
4	966 80 98-01	STAPLE	(100 pcs), Gardena Blister Pack	1
4	Gardena409020	TBD	(100 pcs), Gardena Blister Pack	1
5	575 23 86-02	SCREW KIT	(3 pcs) incl. Allen Key	1
6	966 80 96-01	WIRE	(150 m), Gardena Blister Pack	1
6	Gardena408820	TBD	(150 m), Gardena Blister Pack	1
6	580 66 20-03	WIRE	(200 m)	1
6	580 66 20-01	WIRE	(250 m)	1
6	580 66 20-04	WIRE	(800 m)	1
7	966 80 95-01	BLADE	(9 pcs), Gardena Blister Pack	1
7	Gardena408720	TBD	(9 pcs), Gardena Blister Pack	1
7	577 86 46-02	BLADE SET	Blister Pack, 9 pcs	1
7	577 60 65-04	BLADE SET	45 pcs	1
7	577 60 66-03	BLADE SET	300 pcs	1
8	535 12 90-01	COUPLER	(1pcs)	1
9	501 98 02-01	COUPLER	(1pcs)	1
9	501 98 02-02	COUPLER	(50pcs)	1
10	966 80 97-01	COUPLER	2 Connectors+6 Couplers, Gardena Blister Pack	1
10	Gardena408920	TBD	2 Connectors+6 Couplers, Gardena Blister Pack	1
10	579 04 81-01	ACCESSORY BAG	5 Connectors+5 Couplers	1
11	586 27 79-01	STICKER	Cable Markers (10 pcs)	1
12	502 40 53-01	LABEL	Anti-Theft	1
13	578 90 91-05	DVD		1
14	115 78 71-01	OPERATOR'S MANUAL	Swedish	1
14	115 78 71-06	OPERATOR'S MANUAL	Danish	1
14	115 78 71-11	OPERATOR'S MANUAL	Finnish	1
14	115 78 71-21	OPERATOR'S MANUAL	Norwegian	1
14	115 78 71-26	OPERATOR'S MANUAL	English	1
14	115 78 71-31	OPERATOR'S MANUAL	French	1
14	115 78 71-36	OPERATOR'S MANUAL	Dutch	1
14	115 78 71-41	OPERATOR'S MANUAL	Italian	1
14	115 78 71-46	OPERATOR'S MANUAL	Spanish	1
14	115 78 71-51	OPERATOR'S MANUAL	German	1
14	115 78 71-58	OPERATOR'S MANUAL	Hungarian	1
14	115 78 71-59	OPERATOR'S MANUAL	Portuguese	1
14	115 78 71-61	OPERATOR'S MANUAL	Polish	1
14	115 78 71-68	OPERATOR'S MANUAL	Slovakian	1
14	115 78 71-84	OPERATOR'S MANUAL	Slovenian	1
14	115 78 71-90	OPERATOR'S MANUAL	Czech	1
15	115 78 72-01	QUICK GUIDE	Swedish	1
15	115 78 72-06	QUICK GUIDE	Danish	1
15	115 78 72-11	QUICK GUIDE	Finnish	1
15	115 78 72-21	QUICK GUIDE	Norwegian	1
15	115 78 72-26	QUICK GUIDE	English	1
15	115 78 72-31	QUICK GUIDE	French	1
15	115 78 72-36	QUICK GUIDE	Dutch	1
15	115 78 72-41	QUICK GUIDE	Italian	1
15	115 78 72-46	QUICK GUIDE	Spanish	1
15	115 78 72-51	QUICK GUIDE	German	1
15	115 78 72-58	QUICK GUIDE	Hungarian	1
15	115 78 72-59	QUICK GUIDE	Portuguese	1
15	115 78 72-61	QUICK GUIDE	Polish	1
15	115 78 72-68	QUICK GUIDE	Slovakian	1
15	115 78 72-84	QUICK GUIDE	Slovenian	1
15	115 78 72-90	QUICK GUIDE	Czech	1