

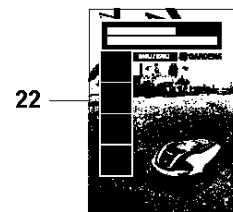
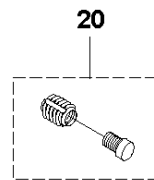
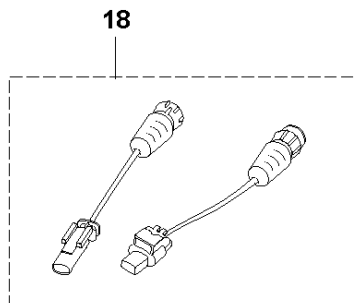
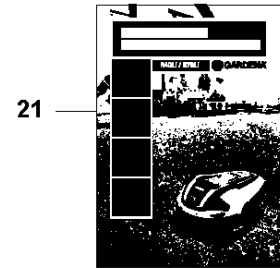
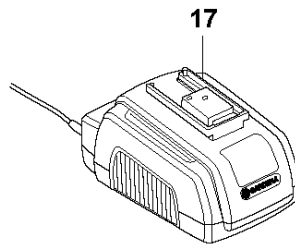
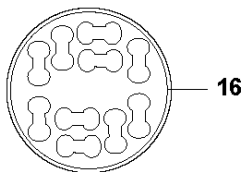
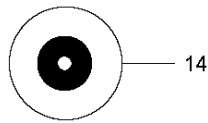
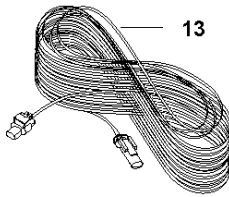
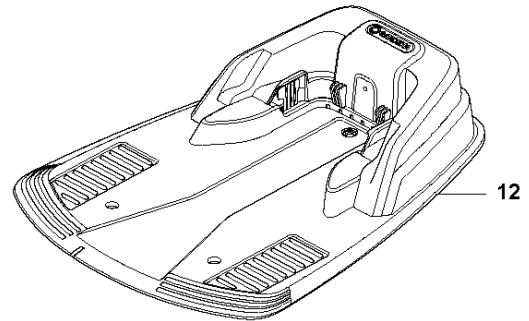
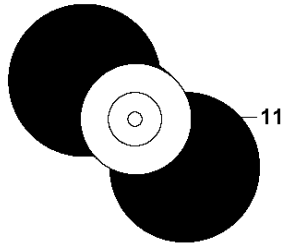
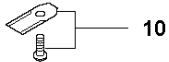
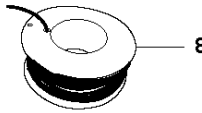
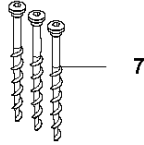
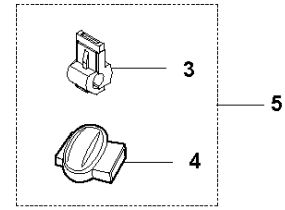
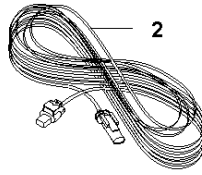
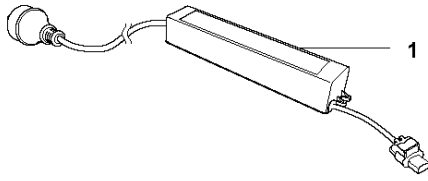


SPARE PARTS LIST

ROBOTIC LAWN MOWERS

R70Li, 2015-01

F GARDENA R70Li/R80Li
ACCESSORIES



ACCESSORIES

R70Li, 2015-01

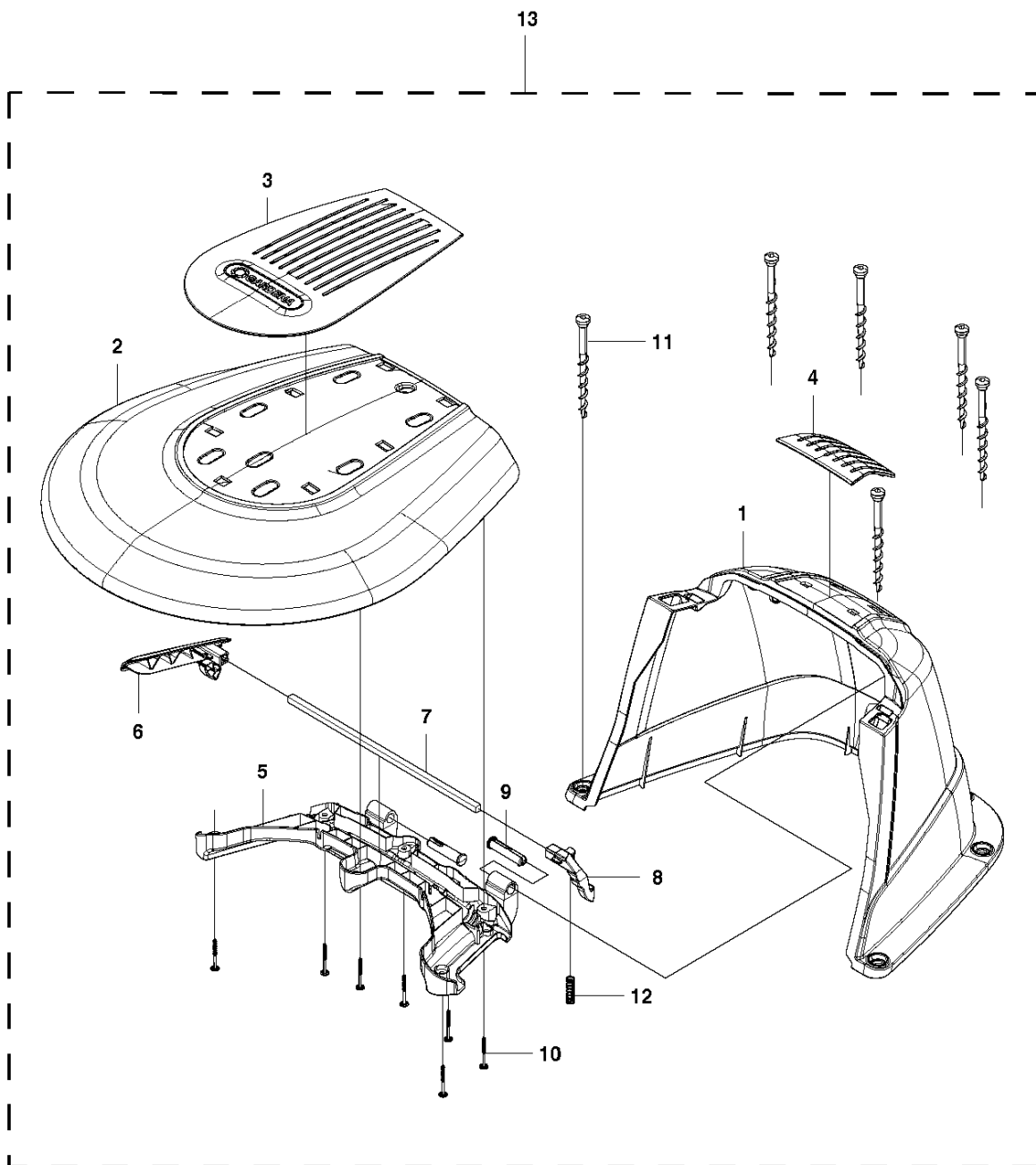
Ref	Part No	Description	Remark	QTY KIT
1	584 40 89-01	POWER UNIT	EU	1
1	581 14 51-02	TRANSFORMER	UK	1
1	581 14 51-05	TRANSFORMER	AU-NZ	1
1	581 14 51-03	TRANSFORMER	CH	1
2	581 16 66-03	CABLE	10 m	1
3	535 12 90-01	COUPLER	1pcs	1 5
4	501 98 02-01	COUPLER	Splice kit (1pcs)	1 5
4	501 98 02-02	COUPLER	Splice kit (50pcs)	1
5	966 80 97-01	COUPLER	Gardena 4089-20, 2 Connectors+6 Splices, Gardena blister pack	1
5	579 04 81-01	ACCESSORY BAG	5 Connectors+5 Splices	1
6	966 80 98-01	STAPLE	Gardena 4090-20, Staples (100pcs), Gardena blister pack	1
7	575 23 86-02	SCREW KIT	Anchor screw (3pcs) incl. Allen key	1
8	966 80 96-01	WIRE	Gardena 4088-20, Loop wire (150m), Gardena blister pack	1
8	580 66 20-03	WIRE	200m	1
8	580 66 20-01	WIRE	250m	1
9	578 91 06-01	LABEL		1
10	966 80 95-01	BLADE	Gardena 4087-20, 9pcs	1
10	577 86 46-02	BLADE SET	LONG LIFE SAFETY BLADE, Blister Pack, 9pcs	1
10	577 60 65-04	BLADE SET	LONG LIFE SAFETY BLADE, 45pcs	1
10	577 60 66-03	BLADE SET	LONG LIFE SAFETY BLADE, 300pcs	1
11	578 90 91-04	CD		1
12	577 97 23-05	CHARGING STATION		1
13	581 16 66-04	CABLE	20 m	1
14	577 85 81-03	DVD		1
15	577 51 81-02	CABLE		1
16	586 27 79-01	STICKER	10pcs	1
17	966 41 01-01	CHARGER		1
18	586 18 90-01	WIRING		1
19	580 68 95-02	LABEL	1pcs	1
19	584 90 22-01	LABEL	10pcs	1
20	581 16 57-01	THREAD INSERT	4pcs	1
21	115 70 69-01	OPERATOR'S MANUAL	Swedish	1
21	115 70 69-06	OPERATOR'S MANUAL	Danish	1
21	115 70 69-11	OPERATOR'S MANUAL	Finnish	1
21	115 70 69-21	OPERATOR'S MANUAL	Norwegian	1
21	115 70 69-26	OPERATOR'S MANUAL	English	1
21	115 70 69-31	OPERATOR'S MANUAL	French	1
21	115 70 69-36	OPERATOR'S MANUAL	Dutch	1
21	115 70 69-41	OPERATOR'S MANUAL	Italian	1
21	115 70 69-46	OPERATOR'S MANUAL	Spanish	1
21	115 70 69-51	OPERATOR'S MANUAL	German	1
21	115 70 69-58	OPERATOR'S MANUAL	Hungarian	1
21	115 70 69-59	OPERATOR'S MANUAL	Portuguese	1
21	115 70 69-61	OPERATOR'S MANUAL	Polish	1
21	115 70 69-68	OPERATOR'S MANUAL	Slovakian	1
21	115 70 69-84	OPERATOR'S MANUAL	Slovenian	1
21	115 70 69-90	OPERATOR'S MANUAL	Czech	1
22	115 72 44-01	QUICK GUIDE	Swedish	1
22	115 72 44-06	QUICK GUIDE	Danish	1
22	115 72 44-11	QUICK GUIDE	Finnish	1
22	115 72 44-21	QUICK GUIDE	Norwegian	1
22	115 72 44-26	QUICK GUIDE	English	1
22	115 72 44-31	QUICK GUIDE	French	1
22	115 72 44-36	QUICK GUIDE	Dutch	1
22	115 72 44-41	QUICK GUIDE	Italian	1
22	115 72 44-46	QUICK GUIDE	Spanish	1

ACCESSORIES

R70Li, 2015-01

Ref	Part No	Description	Remark	QTY KIT
22	115 72 44-51	QUICK GUIDE	German	1
22	115 72 44-58	QUICK GUIDE	Hungarian	1
22	115 72 44-59	QUICK GUIDE	Portuguese	1
22	115 72 44-61	QUICK GUIDE	Polish	1
22	115 72 44-68	QUICK GUIDE	Slovakian	1
22	115 72 44-84	QUICK GUIDE	Slovenian	1
22	115 72 44-90	QUICK GUIDE	Czech	1

G GARDENA R70Li/R80Li
ACCESSORIES

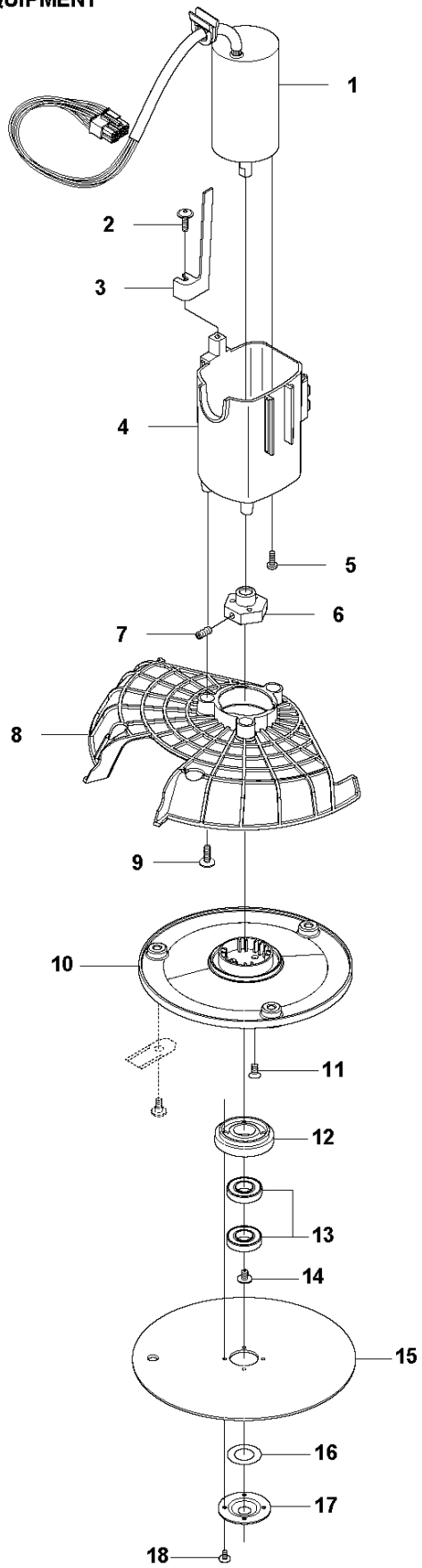


ACCESSORIES

R70Li, 2015-01

Ref	Part No	Description	Remark	QTY KIT
1	587 91 63-01	COVER KIT	Cover Kit Base	1
2	587 91 64-01	COVER KIT		1
3	586 69 44-01	COVER		1
4	586 69 46-01	COVER		1
5	586 69 42-01	BEAM		1
6	586 69 47-01	HANDLE		1
7	585 32 41-02	ROD		1
8	586 69 48-01	LATCH		1
9	585 34 15-01	HINGE PIN		2
10	575 54 33-14	SCREW		8
11	575 23 86-01	SCREW KIT		1
12	580 51 14-01	SPRING		1
13	586 80 17-01	HOUSING		1

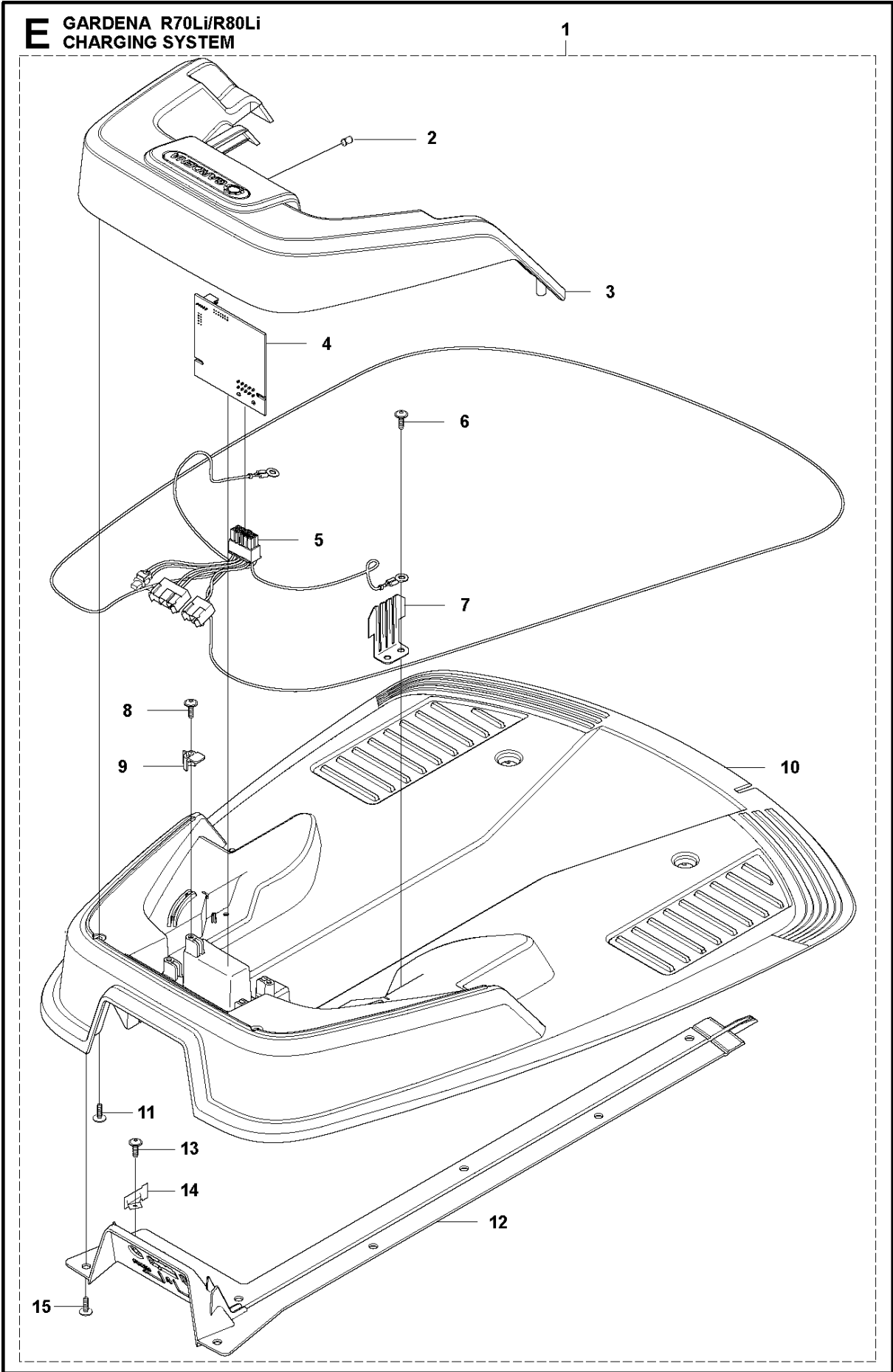
D GARDENA R70Li/R80Li
BLADE MOTOR & CUTTING EQUIPMENT



BLADE MOTOR & CUTTING EQUIPMENT

R70Li, 2015-01

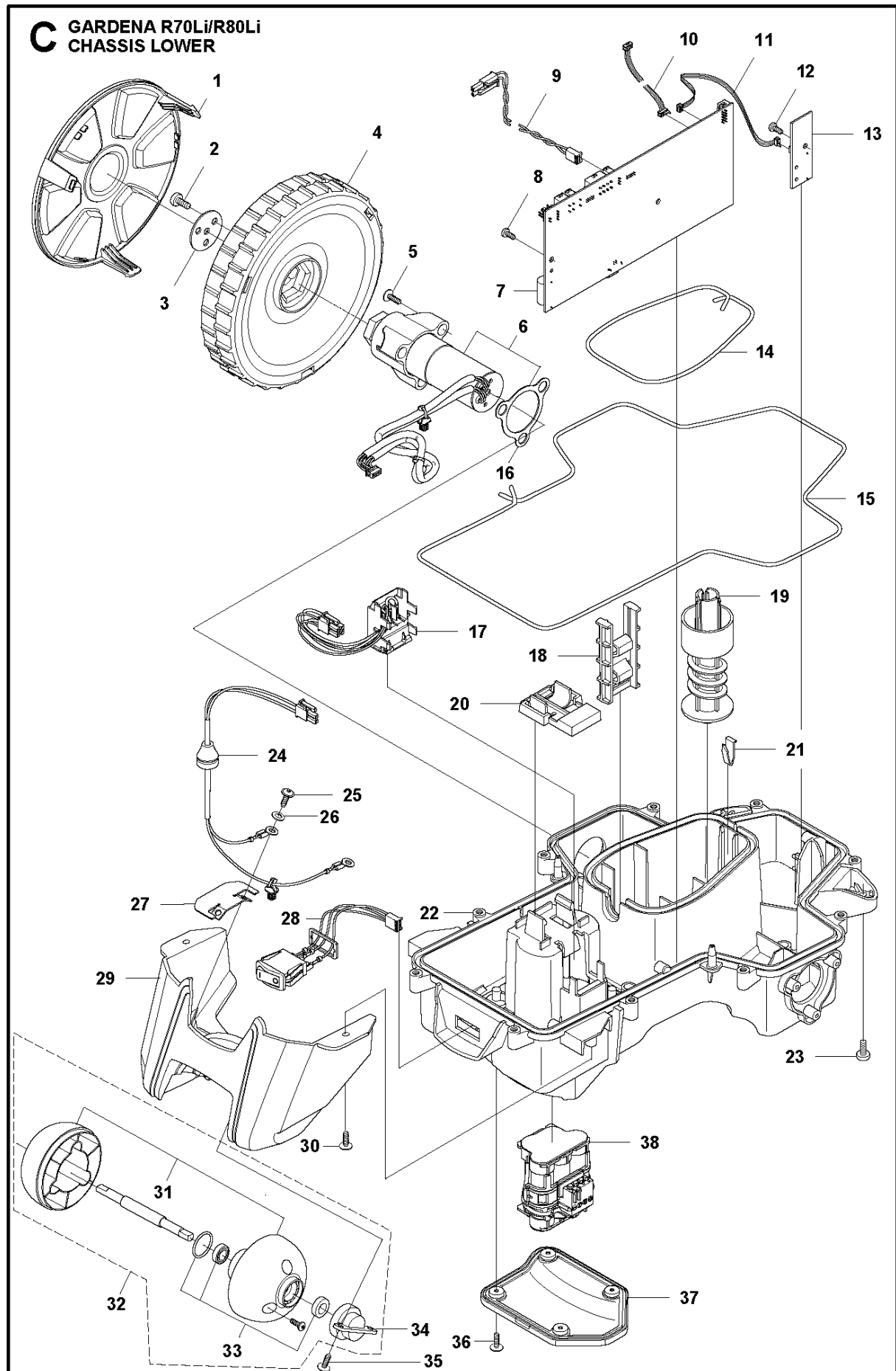
Ref	Part No	Description	Remark	QTY KIT
1	584 98 93-01	MOTOR	Cutting motor	1
2	575 54 33-14	SCREW	grey 14mm	1
3	574 50 35-01	HEIGHT INDICATOR		1
4	581 02 03-01	MOTOR HOUSING		1
5	576 21 38-01	SCREW ITPANM	M4x12	3
6	580 79 31-01	HUB		1
7	576 21 35-01	SCREW IHSETM		1
8	577 85 02-03	GUARD		1
9	575 54 33-14	SCREW	grey 14mm	3
10	580 79 28-01	CUTTING DISC		1
11	535 13 05-01	SCREW		3
12	535 12 64-01	BEARING		1
13	535 07 57-02	BALL BEARING		1
14	535 07 60-01	SCREW		1
15	580 79 27-01	SKID PLATE		1
16	535 08 25-01	GASKET		1
17	535 08 15-01	COVER WASHER		1
18	575 54 33-10	SCREW		4



CHARGING STATION

R70Li, 2015-01

Ref	Part No	Description	Remark	QTY	KIT
1	577 97 23-07	CHARGING STATION		1	
2	535 12 87-02	DIODE LENS		1	1
3	584 61 83-01	CHARGING STATION		1	1
4	586 71 39-01	PRINTED CIRCUIT ASSY		1	1
5	581 22 59-01	CABLE ASSY		1	1
6	575 54 33-14	SCREW	grey 14mm	2	1
7	587 12 51-01	CONTACT		2	1
8	575 54 33-14	SCREW	grey 14mm	2	1
9	535 12 79-01	BRACKET		2	1
10	581 55 19-01	CHARGING STATION		1	1
11	575 54 33-14	SCREW	grey 14mm	4	1
12	581 01 17-01	CHARGING STATION		1	1
13	575 54 33-14	SCREW	grey 14mm	1	1
14	581 01 16-01	BRACKET		1	1
15	575 54 33-14	SCREW	grey 14mm	1	1

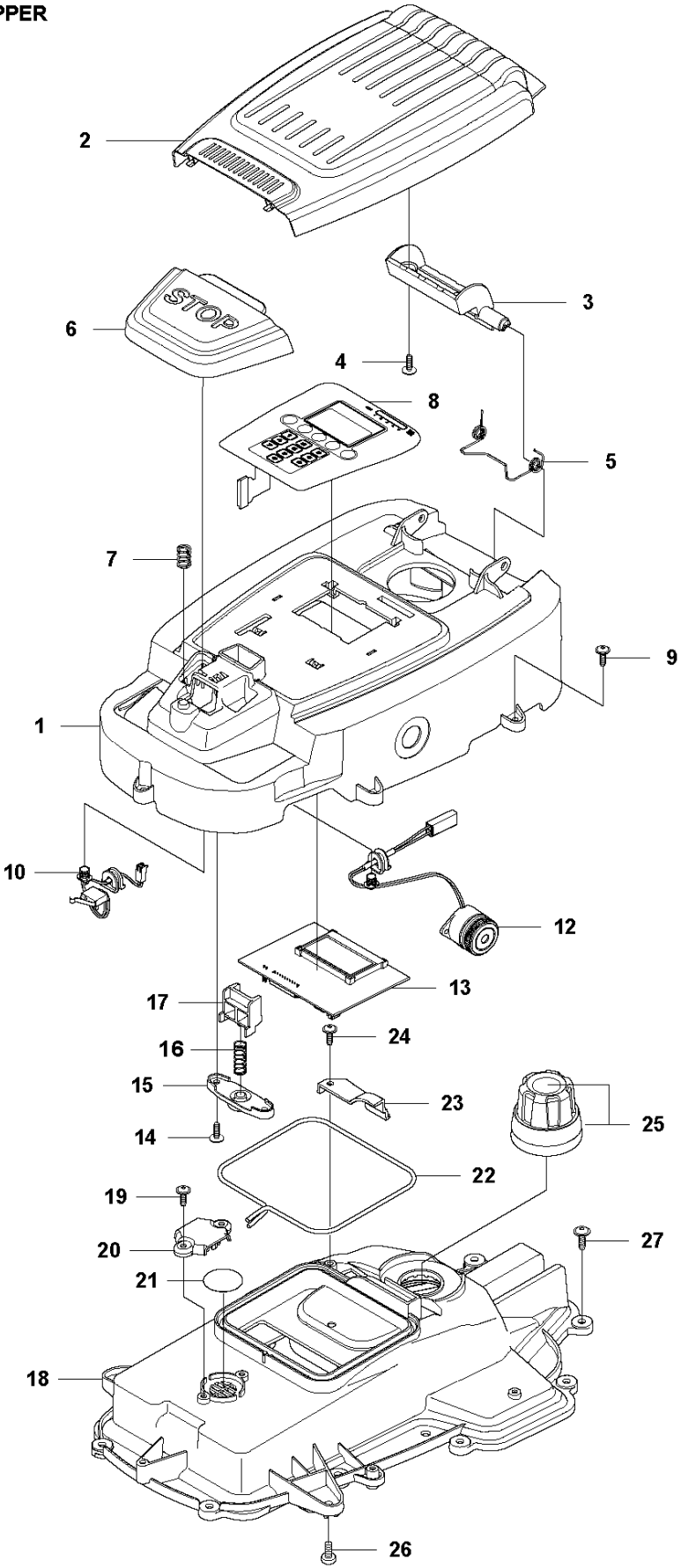


CHASSIS LOWER

R70Li, 2015-01

Ref	Part No	Description	Remark	QTY	KIT
1	577 70 79-01	HUB CAP		2	
2	576 21 39-02	SCREW ITXPANM		6	
3	577 09 32-01	WASHER		2	
4	574 46 51-04	WHEEL		2	
5	575 54 33-14	SCREW	grey 14mm	6	
6	577 83 99-04	WHEEL MOTOR ASSY		2	
7	581 22 10-01	PRINTED CIRCUIT ASSY	MCB	1	
8	535 13 03-10	SCREW ITXPANT	10mm	2	
9	576 22 02-01	LOOM		1	
10	574 47 92-01	LOOM		1	
11	574 47 90-01	LOOM		1	
12	535 13 03-10	SCREW ITXPANT	10mm	1	
13	575 64 09-01	PRINTED CIRCUIT ASSY	PCB sensor board	1	
14	577 75 36-01	KIT	10 pcs, Ø4mm	1	
14	574 87 47-04	SEALING STRIP	Ø4mm	1	
15	577 84 36-01	SEALING STRIP	10 pcs, Ø4mm	1	
15	574 87 47-03	SEALING STRIP	Ø4mm	1	
16	574 37 37-01	GASKET		2	6
17	574 47 98-01	LOOM		1	
18	574 50 19-01	GUIDE RAIL		2	
19	574 48 46-01	SCREW		1	
20	575 40 82-01	LOCK		1	
21	577 10 32-01	LOCKING SPRING		1	
22	577 84 62-02	CHASSIS		1	
23	576 21 39-01	SCREW ITXPANM		2	
24	574 47 77-02	LOOM		1	
25	575 54 33-14	SCREW	grey 14mm	2	
26	535 08 74-01	WASHER		2	
27	574 49 00-01	CHARGING PLATE		2	
28	579 70 87-01	CABLE ASSY		1	
29	574 46 72-02	HOUSING		1	
30	575 54 33-14	SCREW	grey 14mm	3	
31	583 85 39-02	REAR WHEEL		1	32
32	578 27 51-03	REAR WHEEL		1	
33	578 27 52-01	REAR WHEEL	Bearing (x2), sealing (x2), O-ring (x1)	1	32
34	577 71 50-01	BEARING HOUSING		2	32
35	575 54 33-14	SCREW	grey 14mm	4	
36	574 45 01-01	SCREW ITXPANT		4	
37	574 46 73-01	COVER		1	
38	574 47 68-01	BATTERY	Battery, Lithium 18V	1	

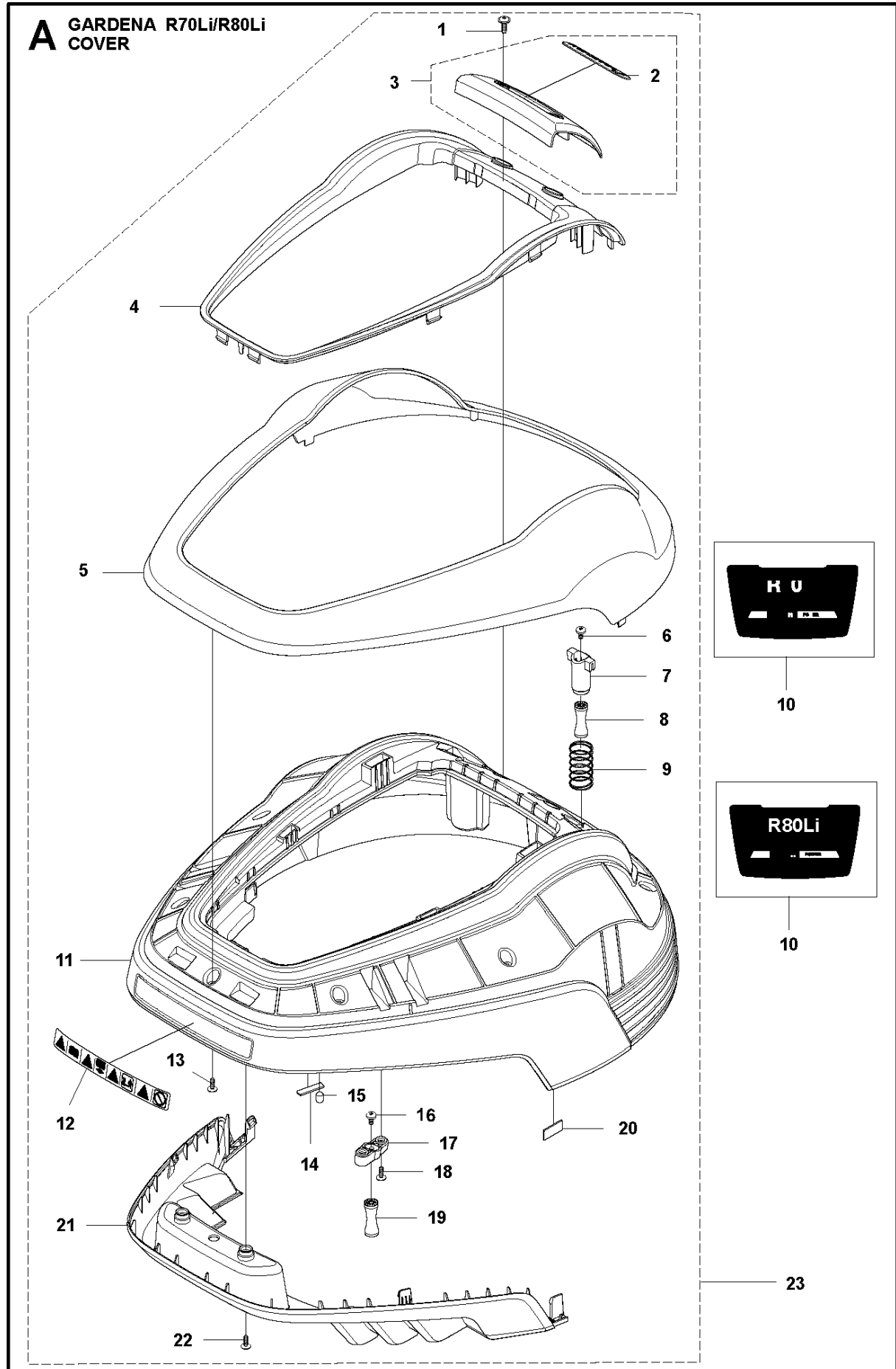
B GARDENA R70Li/R80Li
CHASSIS UPPER



CHASSIS UPPER

R70Li, 2015-01

Ref	Part No	Description	Remark	QTY	KIT
1	579 39 19-02	KIT		1	
2	577 70 72-01	COVER		1	
3	577 70 78-01	HINGE		1	
4	575 54 33-14	SCREW	grey 14mm	2	
5	578 44 52-01	SPRING		1	
6	577 70 66-01	BUTTON		1	
7	574 48 70-01	SPRING		1	
8	586 94 56-02	KEYBOARD		1	1
9	575 54 33-14	SCREW	grey 14mm	5	
10	574 48 03-01	SWITCH		1	
12	574 47 59-01	BUZZER		1	
13	575 64 01-01	PRINTED CIRCUIT ASSY		1	
14	575 54 33-14	SCREW	grey 14mm	2	
15	575 41 58-01	SPRING HOLDER		1	
16	576 24 22-01	SPRING		1	
17	575 40 90-01	LOCK		1	
18	579 39 20-02	KIT		1	
19	575 54 33-14	SCREW	grey 14mm	2	
20	576 69 70-01	COVER		1	
21	577 75 37-01	KIT	10 pcs	1	
22	577 75 36-01	KIT	10 pcs, Ø4mm	1	
22	574 87 47-04	SEALING STRIP	Ø4mm	1	
23	576 05 39-01	COVER		1	
24	575 54 33-14	SCREW	grey 14mm	1	
25	579 39 22-01	KIT		1	
26	576 21 39-01	SCREW ITXPANM		2	
27	574 45 01-01	SCREW ITXPANT		10	



COVER

R70Li, 2015-01

Ref	Part No	Description	Remark	QTY	KIT
1	575 54 33-14	SCREW	grey 14mm	2	
2	510 31 03-01	LOGOTYPE		1	3
3	579 39 21-05	PLATE KIT		1	
4	577 70 76-03	FRAME		1	
5	577 70 73-03	COVER		1	
6	576 21 39-01	SCREW ITPANM	M5x12	2	
7	574 46 90-02	BRACKET		2	
8	574 46 91-02	DAMPER		2	
9	574 48 51-02	SPRING		2	
10	580 92 76-01	LABEL	Decal, R70Li	1	
10	587 04 35-02	LABEL	Decal, R80Li	1	
11	579 39 17-02	KIT		1	
12	586 35 97-01	LABEL		1	11
13	575 54 33-14	SCREW	grey 14mm	7	
14	576 03 01-01	PLATE		1	11
15	576 18 33-01	MAGNET		1	11
16	576 21 39-01	SCREW ITPANM	M5x12	2	
17	575 41 60-02	SUPPORT CLAMP		2	
18	575 54 33-14	SCREW	grey 14mm	4	
19	574 46 91-02	DAMPER		2	
20	576 18 32-01	MAGNET		1	11
21	577 70 65-01	BUMPER		1	
22	575 54 33-14	SCREW	grey 14mm	2	
23	577 95 53-09	BODY SYSTEM		1	